



Studio

Inset Convector

Gamme d'inserts

Cassetto da incasso



Installation Instructions
Instructions d'installation
Istruzioni per l'installazione

CONTENTS/ CONTENU/ CONTENUTO

Inset Convector Gamme d'inserts Cassetto da incasso

Covering the following models:
Couvrant les modèles suivants:
Per i seguenti modelli:

Studio 1	RVST-1EU
Studio 2	RVST-2EU
Studio 3	RVST-3EU

GB

Appliance Commissioning Sheet..	3
Installation Instructions	6
Essential Information	6
Information Requirement - Solid Fuel	9
Smoke Control.....	10
Parts Identifier	19
Dimensions.....	20
Distance to Combustibles.....	21
Pre-Installation.....	22
Installing the Appliance.....	28
Commissioning	42
Maintenance & Servicing.....	45
Spare Parts List.....	54
Service Records	57

FR

Liste Des Vérifications De Mise En Service	4
Instructions D'installation	11
Informations essentielles.....	11
Fiche produit - Informations à fournir pour un appareil de chauffage localisé à combustible solide.....	14
Identification Des Pieces.....	19
Dimensions.....	20
Distance Des Matériaux Combustible	21
Instructions Avant L'installation	22
Installation D'appareil	28
Mise En Service	43
Maintenance Et Révision	46
Liste Des Principales Pièces De Rechange	54
Fiches De Maintenance.....	57

IT

Elenco Di Controllo Per La Messa A Punto Dell'apparecchio	5
Istruzioni per l'Installazione	15
Informazioni Importanti	15
Scheda del prodotto: richiesta di informazioni per riscaldatore combustibile solido per ambienti	18
Numero Identificativo Delle Parti.....	19
Dimensioni.....	20
Distanze Da Materiali Combustibili	21
Pre-Installazione.....	22
Installazione.....	28
Messa A Punto	44
Manutenzione E Interventi Di Assistenza	47
Elenco Delle Parti Di Ricambio	54
Registri Degli Interventi Di Assistenza	57

APPLIANCE COMMISSIONING SHEET

To assist us in any guarantee claim please complete the following information:-

Dealer appliance was purchased from:

Name:

Address:

Telephone number:

Essential information - MUST be completed:

Date Installed:

Model Description:

Serial Number:

Installation Engineer:

Company Name:

Address:

Telephone number:

Commissioning Checks - to be completed and signed:

Is flue system correct for the appliance:	YES <input type="checkbox"/>	NO <input type="checkbox"/>
Flue swept and soundness test complete:	YES <input type="checkbox"/>	NO <input type="checkbox"/>
Smoke test completed on installed appliance	YES <input type="checkbox"/>	NO <input type="checkbox"/>
Spillage test completed	YES <input type="checkbox"/>	NO <input type="checkbox"/>
Use of appliance and operation of controls explained	YES <input type="checkbox"/>	NO <input type="checkbox"/>
Clearance to combustible materials checked	YES <input type="checkbox"/>	NO <input type="checkbox"/>
Instruction book handed to customer	YES <input type="checkbox"/>	NO <input type="checkbox"/>
CO Alarm Fitted	YES <input type="checkbox"/>	NO <input type="checkbox"/>
Flue draught Reading (Pa)	HOT <input type="text"/>	COLD <input type="text"/>

Signature: Print Name:

LISTE DES VÉRIFICATIONS DE MISE EN SERVICE

Pour faciliter les démarches de dédommagement sous garantie, veuillez fournir les informations suivantes :-

Distributeur où l'appareil a été acheté

Nom :

Adresse :

Numéro de téléphone :

Informations essentielles – Cette section DOIT être remplie:

Date d'installation :

Description du modèle :

Numéro de série :

Technicien installateur:

Nom de la société :

Adresse :

Numéro de téléphone :

Vérifications de mise en service - à remplir et signer:

Le conduit de fumée est approprié à cet appareil	OUI <input type="checkbox"/>	NO <input type="checkbox"/>
Le conduit a été ramoné et le test de vacuité a été effectué.	OUI <input type="checkbox"/>	NO <input type="checkbox"/>
Le test de fumée de l'appareil installé a été effectué	OUI <input type="checkbox"/>	NO <input type="checkbox"/>
Le test d'étanchéité du corps de chauffe a été effectué	OUI <input type="checkbox"/>	NO <input type="checkbox"/>
L'utilisation de l'appareil et le fonctionnement des commandes ont été expliqués	OUI <input type="checkbox"/>	NO <input type="checkbox"/>
Les distances aux matériaux combustibles ont été vérifiées	OUI <input type="checkbox"/>	NO <input type="checkbox"/>
Le manuel d'instructions a été remis au client	OUI <input type="checkbox"/>	NO <input type="checkbox"/>
Le détecteur-avertisseur de CO a été installé (recommandé)	OUI <input type="checkbox"/>	NO <input type="checkbox"/>
Lecture du tirage du conduit (Pa)	CHAUD <input type="text"/>	FROID <input type="text"/>

Signature:

Nom en majuscules:

ELENCO DI CONTROLLO PER LA MESSA A PUNTO DELL'APPARECCHIO

La compilazione del modulo seguente sarà utile in caso di interventi in garanzia.

L'apparecchio è stato acquistato presso:

Nome: _____

Indirizzo: _____

Numero di telefono: _____

Dati obbligatori – DEVONO essere inseriti:

Data di installazione: _____

Descrizione del modello: _____

Numero di serie: _____

Tecnico installatore:

Nome azienda: _____

Indirizzo: _____

Numero di telefono: _____

Controlli di messa a punto (da compilare e firmare):

Il sistema della canna fumaria è adatto all'apparecchio:	Sì <input type="checkbox"/>	NO <input type="checkbox"/>
Controllo della pulizia e dello stato della canna fumaria completato:	Sì <input type="checkbox"/>	NO <input type="checkbox"/>
Controllo fumi sull'apparecchio installato completato:	Sì <input type="checkbox"/>	NO <input type="checkbox"/>
Controllo versamenti completato:	Sì <input type="checkbox"/>	NO <input type="checkbox"/>
Utilizzo dell'apparecchio e svolgimento dei controlli spiegato:	Sì <input type="checkbox"/>	NO <input type="checkbox"/>
Spazio libero dai materiali combustibili controllato:	Sì <input type="checkbox"/>	NO <input type="checkbox"/>
Manuale di istruzioni consegnato al cliente	Sì <input type="checkbox"/>	NO <input type="checkbox"/>
Allarme di monossido di carbonio installato	Sì <input type="checkbox"/>	NO <input type="checkbox"/>
Lettura del tiraggio del canale da fumo (Pa)	CALDO <input type="text"/>	FREDDO <input type="text"/>

Nome in stampatello: Firma:.....

ESSENTIAL INFORMATION

GENERAL	Model:			Studio 1	Studio 2	Studio 3
	Studio 1 Studio 2 Studio 3					
	Nominal Heat Output	Wood	kW	5.0	8.5	12.6
	Efficiency	Wood	%	77.8	76.3	76.1
	CO @ 13% O ₂	Wood	%	0.11	0.11	0.1
Weight		Kg	76	83	120	
Recommended Fuels	Wood	Seasoned Wood (less than 20% moisture content)				

As tested to the requirements of EN 13229 for intermittent operation

FLUES	Flue/Chimney Size	With Liner of Factory made system (diameter) installed in accordance with manufacturers instructions	mm	153	153	153
			inch	6	6	6
	Flue/Chimney minimum height	All products	m	4.5	4.5	4.5
			feet	15	15	15
	Flue Draught	Min	Pa	10	10	10
		Nominal		12	12	12
		Max		20	20	20
	Flue Gas Mass Flow	Wood	g/s	4.9	7.7	9.3
	Average Flue Gas Temperature	Wood	°C	276	304	361
	Flue Outlet Size (Top Option)		mm	153	153	153
inch			6	6	6	

European Min Spec for Solid Fuel Chimney Flue - T400 N2 D 3 G50

VENTILATION	A) Traditionally Built Homes		B) Modern Construction Homes			
	• Where leakage is greater than 5m ³ /hour/m ² .		• Where leakage is less than 5m ³ /hour/m ² .			
	• Ventilation normally required = 550mm ² per kW output over 5kW		• Ventilation normally required = 550mm ² per kW			
	A	Additional Ventilation	mm ²	None	1650	3850
			cm ²	None	16.5	38.50
			in ²	None	2.6	5.3
	B	Additional Ventilation	mm ²	2750	4400	6600
cm ²			27.5	44	66.0	
in ²			4.44	7.1	10.65	

i In the U.K. Additional information covering the installation of the appliance may be found in the following British Standards: BS EN 15287, BSEN1856-2:2009, BS8303.

GENERAL INFORMATION

Installing the Appliance

Each installation is unique to the property so it is not possible to give details to suit every setting.

The installation must comply with Building Regulations and be made using "best practice" construction methods.

Take care when installing the appliance. Careless handling and use of tools can damage the finish and/or area.

There are 2 types of installation for this appliance:

1. Studwork Installation
2. Fitting to a Masonry Chimney

Many fireplace openings have a supporting lintel. Do not remove without supporting the remaining structure of the building. **Do not support the structure with the appliance or the flue system.**

All methods of installation will require the attachment of frame fixing brackets prior to the installation of the outer box, see Studwork Installation.

Appliance Location

This appliance sits in a recess, all nearby walls that are not classed as fire walls or are considered unsuitable for exposure to heat must be protected by non-combustible building material in accordance with the specifications below.

Seal all joins in the non-combustible material using the method recommended by the manufacturer.

Ventilate the space between the insert and the recess as specified in these instructions.

Refer to the manufacturer's installation instructions when connecting the chimney system ensuring that the distance to combustible materials are maintained.

Ensure all combustible materials are not placed closer than 1m from the front of this appliance.

The appliance must be installed with clearance to the building material, not in direct contact with it, to allow for thermal expansion of the insert.

Ventilation

Do not pack the void around or above the appliance with insulation materials such as mineral wool or vermiculite.

The void built for the cassette must be ventilated to prevent a build up of heat. If the void is sealed then you must fit vents at both low and high levels of approximately 20cm² each. These vents must take cold air from the room and return warm air back into the room.

An access hatch must be left in the side of the chimney breast for future servicing and inspection of the flue and appliance.



NOTE: If installing with an Outside Air Kit, please consult manual PM361 prior to installation.

Building Materials

Stovax recommend building the enclosure from the following materials:

Metal Studwork

Non-combustible board: Calcium Silicate Board - NOT PINK BOARD

Heat Resistant Plaster: Purimacho (any spider cracks that develop after installation will need to be rubbed down and refilled with Purimacho heat resistant filler to stabilise).

Ensure all distances to combustible materials are maintained

Registered Professional:

Before installation and/or use of this appliance please read these instructions fully and carefully to ensure that you have fully understood their requirements.

The appliance must be fitted by a registered installer, or approved by your local building control officer.

Structural Support:

If installing on a wooden floor check that the floor joists are strong enough to bear the weight of the insert, chimney and construction parts.

Hearth:

A Constructional Hearth with a depth of 125mm and a 12mm Decorative Hearth Plate must be installed to protect a combustible floor from the risk of falling embers if mounted directly on the floor. The Decorative Hearth must extend 300mm in front of the hearth and can be made of natural stone, concrete, metal or glass.

Clearance to Combustible Materials:

Make sure that the connected flue system is positioned at a reasonable distance from any combustible material. Stovax recommend the use of a flue liner when installing into a masonry chimney. Alternative methods can be used if the chimney is sound and correctly sized, however access may be required to make an effective seal - ie Using a sump adapter. Stovax recommend using an approved twin wall insulated chimney system when installing within studwork.

Do not pack the void around or above the appliance with insulation materials such as mineral wool or vermiculite.

The void built for the cassette must be ventilated to prevent a build up of heat. If the void is sealed then you must fit vents at both low and high levels of approximately 50cm² each.

These vents must take cold air from the room and return warm air back into the room.

An access hatch must be left in the side of the chimney breast for future servicing and inspection of the flue and appliance.

Support the outer box using metal framework (ie Unistrut) construction secured to the non combustible floor/wall.

Final inspection of the installation:

GENERAL INFORMATION

When it has been installed, the appliance must be commissioned in accordance with standards and practices to ensure full working order and a correct handover given to the customer.

Flue and Chimney

The flue or chimney system must be able to withstand flue temperatures of up to 400°C.

The external diameter of the connection sleeve is 155mm.

In normal operating mode, draft in the chimney should be 20-25 Pa close to the connection sleeve. The draft is affected primarily by the length and area of the chimney and also by how well sealed it is.

The minimum recommended chimney length is 3.5m and a suitable cross-section area is 150-200cm² (140-160 mm in diameter).

Sharp bends and horizontal lengths in a flue pipe reduce the draft in the chimney.

It must be possible to sweep the full length of the flue, and the soot doors must be easily accessible.

Carefully check that the chimney is sealed and that there is no leakage of smoke from the connections.

Combustion Air Supply

When the appliance is installed, it is essential to ensure adequate air is supplied to the room. Air can be provided indirectly via a vent in the outer wall or via a duct from the outside that connects to the sleeve on the underside of the insert. The required volume of combustion air is about 20 m³/hour.

The outer diameter of the combustion air connection sleeve is 80mm.

If a pipe is longer than 1 m, its diameter must be increased to 100mm and a larger wall vent will be required.

In heated spaces, the flue must be insulated to prevent condensation using 30mm mineral wool covered with a vapour barrier. The hole in the wall (or floor) at the exit point must be properly sealed with flue jointing compound.

A flexible pipe to provide external directly into the appliance is available and must be fitted at the time of installation.

CO Alarms

Building regulations require that whenever a new or replacement fixed solid fuel or wood/biomass appliance is installed in a dwelling a carbon monoxide alarm, complying with BS EN50291, must be fitted in the same room as the appliance.

HETAS recommend the unit is permanently fixed in accordance with the manufacturer's installation instructions or with the guidance contained in Approved Document J where no other information is available.

Provision of an alarm must not be considered a substitute for either installing the appliance correctly or ensuring regular servicing and maintenance of the appliance and chimney system.

PRODUCT FICHE - Information Requirement for Solid Fuel Local Space Heater

Model	Studio 1	Studio 2	Studio 3
Direct Efficiency Class	A	A	A
Direct Heat Output (kW)	5.0	8.5	12.6
Indirect Output (kW)	-	-	-
Energy Efficiency Index (EEI)	104	102	101
Useful Energy Efficiency at Nominal Heat Output	77.8%	76.3%	76.1%
Safety Precautions	Appliance must be installed, Used and Maintained in accordance with the manufacturers instructions supplied		

PRODUCT MATERIAL INFORMATION

The following substances, preparations or components should be disposed of or recovered separately from other WEEE in compliance with Article 4 of EU Council Directive 75/442/EEC.

Metal	Steel	Can be taken to a local recycling centre for reuse to reduce waste going to landfill.
	Cast iron	
Glass		Can be taken to a local recycling centre for reuse to reduce waste going to landfill.
Vermiculite linings		Non hazardous material. Vermiculite can be crushed up and used for plant bedding and ash used for composting or disposed of at a local recycling centre for reuse to reduce waste going to landfill.
Rope seals		Rope seals are made from Refractory Ceramic Fibre (RCF), a material which is commonly used for this application. Protective clothing is not required when handling these articles, but it is recommended to follow normal hygiene rules of not smoking, eating or drinking in the work area and always wash hands before eating or drinking. When servicing the appliance it is recommended that the replaced items are not broken up, but are sealed within heavy duty polythene bags and labelled as RCF waste. RCF waste is classed as stable, non-reactive hazardous waste and may be disposed of at a licensed landfill site.
Electrical components	(Fan kits etc if applicable)	Dispose of at a local recycling centre in accordance with the WEEE directive.

SMOKE CONTROL

SMOKE CONTROL KITS

These instructions apply to the Studio 1 & 2 models when fitted with a Smoke Control kit.

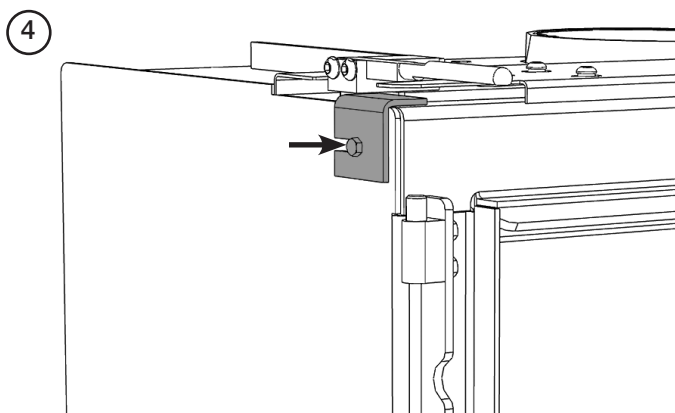
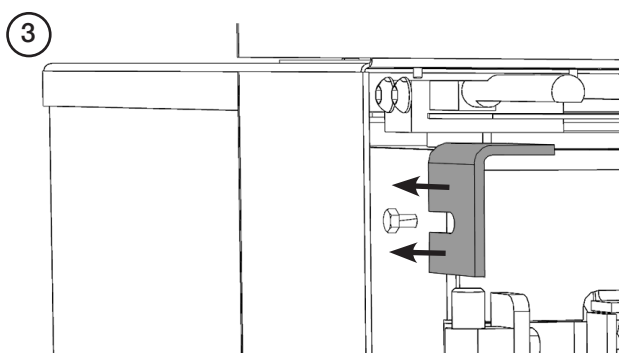
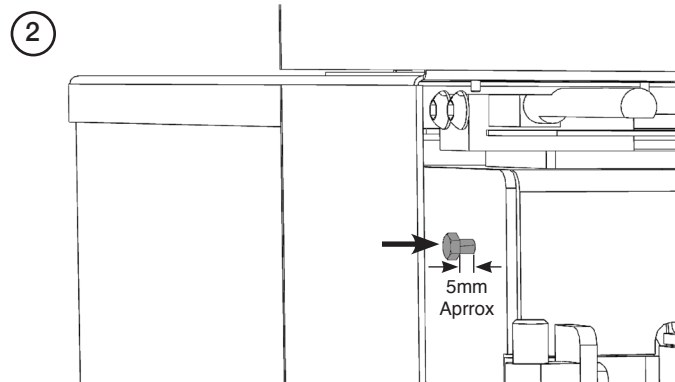
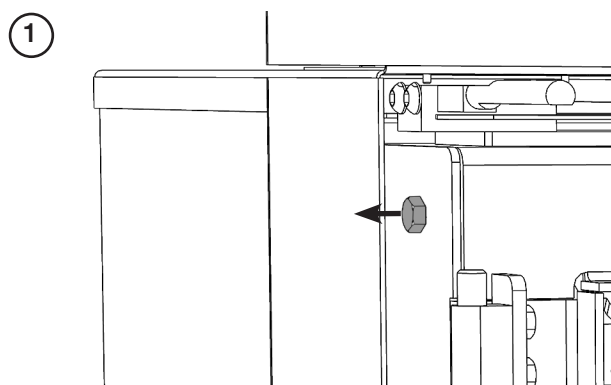
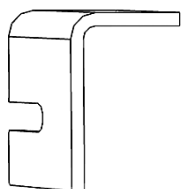
i **NOTE:** These appliances have been independently tested to PD6434 and have been exempt from the controls that generally apply in smoke control areas hence are considered suitable for use in Smoke Control Area when burning wood and ONLY when fitted with the relevant Smoke Control kit detailed below.

Product Code	Appliance	Smoke control kit Part No.
RVST-1EU	Riva Studio 1	RVS-MEC11860
RVST-2EU	Riva Studio 2	

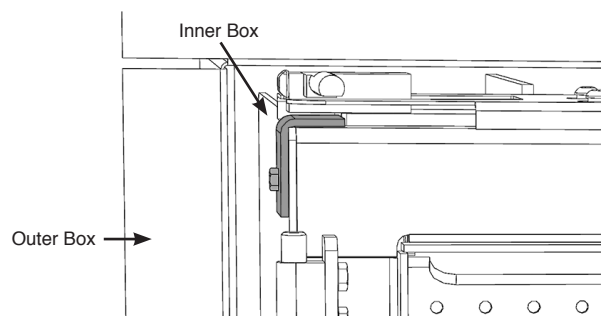
To meet the Smoke Control requirement this appliance MUST be operated correctly in order to minimise the amount of smoke produced.

FITTING THE SMOKE CONTROL KIT STUDIO 1 & 2 ONLY

The Smoke Control kit for this product is a sliding bracket that prevents the Airwash slider from completely shutting down, allowing a small amount of air into the firebox to aid clean combustion.



When installed the bracket locates on the top left of the inner box.



INFORMATIONS ESSENTIELLES

GÉNÉRALITÉS	Modèle: Studio 1 Studio 2 Studio 3			Studio 1	Studio 2	Studio 3
	Puissance nominale	Bois	kW	5.0	8.5	12.6
	Rendement	Bois	%	77.8	76.3	76.1
	CO @ 13% O ₂	Bois	%	0.11	0.11	0.1
	Poids		Kg	76	83	120
	Combustibles recommandés	Bois	Bois sec (taux d'humidité inférieur à 20%)			

Testés aux normes EN 13229 pour utilisation intermittente

CONDUIT DE FUMÉE	Taille du conduit de fumée/ cheminée	Avec conduit interne ou dispositif fabriqué en usine (diamètre) installé en conformité avec les instructions du fabricant	mm	153	153	153
			inch	6	6	6
	Conduit de fumée/cheminée (hauteur minimum)	Tous les produits	m	4.5	4.5	4.5
			feet	13	13	15
	Tirage dans le conduit	Min	mm Pa	1.0	1.0	1.0
		Nominal		1.5	1.5	1.5
		Max		2.0	2.0	2.0
	Débit de masse de gaz dans le conduit	Bois	g/s	4.9	7.7	9.3
	Température du gaz dans le conduit au niveau de emboîtement	Bois	°C	276	304	361
	Sortie de conduit Six (Option par le haut)		mm	153	153	153
inch			6	6	6	

Spéc. européenne min. pour les conduits de fumée - T400 N2 D 3 G50

VENTILATION	Habitations de construction traditionnelle • Ventilation Min de 50cm ²				
	Ventilation	mm ²	5000	7000	3300
		cm ²	50	70	33

INFORMATIONS GÉNÉRALES

Installation D'appareil

Chaque installation est unique au bâtiment, il n'est donc pas possible de donner des détails appropriés à chaque site. L'installation doit être conforme à la réglementation sur la construction des bâtiments et doit utiliser les bonnes pratiques de construction.

Prendre soin lors de l'installation du poêle. La manutention inappropriée ou une mauvaise utilisation des outils peut endommager la finition et/ou la surface adjacente.

Cet appareil peut être installé de deux façons différentes:

1. Installation dans une cheminée en briques
2. Installation dans une création de coffrage

Un grand nombre de cheminées comportent un linteau. Ne jamais enlever le linteau sans supporter le reste de la structure du bâtiment. **Ne pas faire supporter la structure ou le conduit de fumée par l'appareil.**

Toutes les méthodes d'installation requièrent l'installation de supports de fixation avant de procéder à l'installation du carter externe.

Emplacement de l'appareil

Cet appareil est placé dans un encastrement ; les parois avoisinantes qui ne sont pas pare-feu ou ne doivent pas être exposées à la chaleur, doivent être protégées par un matériau de construction incombustible conformément aux caractéristiques ci-après.

Sceller tous les joints dans le matériau incombustible selon la méthode recommandée par le fabricant.

Aérer l'espace entre l'insert et l'encastrement comme stipulé dans ces instructions.

Se reporter aux instructions d'installation du fabricant pour raccorder la cheminée en veillant à maintenir la distance par rapport aux matériaux inflammables.

Veiller à ce que tous les matériaux inflammables soient au moins à la distance minimum spécifiée de l'appareil.

L'appareil doit être installé en respectant un dégagement par rapport aux matériaux de construction, ne pas être en contact direct avec ceux-ci et en permettant une dilatation thermique de l'insert.

Ventilation

Ne pas combler l'espace autour ou au-dessus de l'appareil avec des matériaux d'isolement comme la laine minérale ou la vermiculite.

L'espace construit pour l'insert doit être ventilé pour éviter une accumulation de chaleur. Si l'espace est hermétique, vous devez installer des grilles de ventilation au point haut de 20cm² minimum et au point bas de 20cm² minimum.

Ces des grilles de ventilation doivent aspirer l'air froid de la pièce et renvoyer l'air chaud.

Laisser une trappe d'accès sur le côté de la cheminée pour l'entretien et l'inspection future du conduit et de l'appareil.

Matériaux de construction

Stovax recommande de construire l'enceinte avec les matériaux suivants :

Ossature murale métallique

Plaque incombustible : Plaque en silicate de calcium – PAS DE PLAQUE ROSE

Plâtre réfractaire : Purimacho (toute fissure en toile d'araignée se formant après l'installation doit être polie et remplie de garniture réfractaire Purimacho afin d'être stabilisé).

Veiller à maintenir toutes les distances par rapport aux matériaux inflammables.

Professionnel immatriculé :

Avant de procéder à l'installation ou d'utiliser cet appareil, veuillez lire l'ensemble de ces instructions avec attention de manière à bien comprendre leurs exigences.

Cet appareil doit être installé par un installateur agréé, ou approuvé par le bureau de contrôle de construction le plus proche.

Support structurel :

pour une installation sur un sol en bois, vérifiez que les solives soient suffisamment robustes pour supporter le poids de l'insert, de la cheminée et des éléments de construction.

Foyer :

Un foyer construit avec une profondeur de 125 mm et une plaque d'âtre décorative de 12 mm doit être installé pour protéger le sol combustible du risque de chute de braise pour un montage direct sur le sol.

L'âtre décoratif doit être étendu de 300 mm devant le foyer. Il peut être en pierre naturelle, béton, métal ou verre.

Distance des matériaux combustible

Veiller à ce que le système de conduit raccordé soit placé à une distance raisonnable du matériau inflammable

Stovax recommande l'utilisation d'un boisseau pour l'installation dans une cheminée en maçonnerie. D'autres méthodes peuvent être utilisées si

la cheminée est en bon état et bien dimensionnée. Toutefois, un accès est nécessaire pour un scellage efficace c'est-à-dire avec une plaque d'étanchéité.

Stovax recommande l'utilisation d'un système de cheminée à double paroi d'isolation pour l'installation dans une ossature murale.

Ne pas combler l'espace autour ou au-dessus de l'appareil avec des matériaux d'isolement comme la laine minérale ou la vermiculite.

L'espace construit pour l'insert doit être ventilé pour éviter une accumulation de chaleur. Si l'espace est hermétique, vous devez installer des grilles de ventilation au point haut de 20cm² minimum et au point bas .

Ces des grilles de ventilation doivent aspirer l'air froid de la pièce et renvoyer l'air chaud.

Remarque importante : en cas d'installation du kit de ventilation en option, prévoyez le câblage et les prises nécessaires, avant de procéder à l'installation.

Laisser une trappe d'accès sur le côté de la cheminée pour l'entretien et l'inspection future du conduit et de l'appareil.

Construire une cheminée autour du carter externe à l'aide de matériau non combustible.

Inspection finale de l'installation :

Une fois installé, l'appareil doit être mis en service conformément aux normes et pratiques pour être en bon état de marche et effectuer une passation correcte au client.

Conduit et cheminée :

Le système du conduit ou de la cheminée doit pouvoir résister à des températures de conduit allant jusqu'à 400°C.

Le diamètre extérieur du manchon de raccordement est de 155 mm.

En mode de fonctionnement normal, le tirage de la cheminée doit être de 20 à 25 Pa près du manchon de raccordement. Le tirage dépend surtout de la longueur et de la surface de la cheminée, mais également de son étanchéité.

La longueur minimale conseillée de cheminée est de 3,5 m et la surface de section appropriée de 150-200 cm² (140-160 mm de diamètre).

Les coudes à angle aigu et les longueurs horizontales du tuyau réduisent le tirage de la cheminée.

Le ramonage de toute la longueur du conduit doit être possible et les portes de ramonage aisément accessibles.

Contrôler soigneusement l'étanchéité de la cheminée et l'absence de fuite de fumée au niveau des raccords.

Alimentation en air de combustion:

Une fois l'appareil installé, il est indispensable de veiller à une alimentation adéquate en air de la pièce. L'air peut être fourni indirectement par un évent sur le mur extérieur ou via une conduite venant de l'extérieur et raccordée au manchon sous l'insert. Le volume requis d'air de combustion est d'environ 20 m³/h.

Le diamètre extérieur du manchon de raccordement de l'air de combustion est de 80 mm.

Si le tuyau fait plus d'un mètre, son diamètre doit être augmenté à 100 mm et une ouverture murale plus grande est nécessaire .

Dans les espaces chauffés, le conduit doit être isolé pour éviter toute condensation grâce à une laine de roche de 30 mm couverte d'un écran à la vapeur d'eau. Le trou dans le mur (ou le sol) doit être convenablement scellé avec un joint d'étanchéité.

Un tuyau flexible étanche, permettant de relier directement l'appareil à l'air extérieur, est disponible et peut être fixé au moment de l'installation.;

Détecteurs-avertisseurs de CO

Tous les appareils ouverts peuvent être affectés par des conditions atmosphériques temporaires capables de repousser la fumée dans la maison. Nous recommandons, lors de l'installation dans une habitation d'un nouvel appareil ou d'un appareil de chauffage de remplacement à bois ou multi-combustible qu'un détecteur-avertisseur de CO soit installé dans la même pièce que l'appareil. La présence d'une alarme ne doit pas être considérée comme un substitut pour une bonne installation et un entretien et une maintenance régulière de l'appareil et de la cheminée.

FICHE PRODUIT - Informations à fournir pour un appareil de chauffage localisé à combustible solide

Modèle	Studio 1	Studio 2	Studio 3
Classe d'efficacité directe	A	A	A
Puissance calorifique directe (kW)	5.0	8.5	12.6
Puissance indirecte (kW)	-	-	-
Indice d'efficacité énergétique (IEE)	104	102	101
Efficacité énergétique utile à la puissance calorifique nominale	77.8%	76.3%	76.1%
Précautions de sécurité	L'appareil doit être installé, utilisé et entretenu conformément aux instructions du fabricant fournies		

INFORMATIONS MATÉRIELLES DU PRODUIT

Les substances, préparations ou composants suivants doivent être éliminés ou revalorisés séparément des autres DEEE, conformément à l'article 4 de la Directive 75/442/CEE du Conseil de l'Union européenne.

Métal	Acier	Vous pouvez remettre ces éléments à votre centre de recyclage local pour les réutiliser et réduire le volume de déchets envoyés dans les sites d'enfouissement.
	Fonte	
Verre		Vous pouvez remettre ces éléments à votre centre de recyclage local pour les réutiliser et réduire le volume de déchets envoyés dans les sites d'enfouissement.
Revêtement en vermiculite		Matériau non dangereux. La vermiculite peut être broyée et utilisée comme substrat pour vos plantes tandis que les cendres peuvent être utilisées comme compost ou remises à votre centre de recyclage local pour les réutiliser et réduire le volume de déchets envoyés dans les sites d'enfouissement.
Tresses d'étanchéité		Les joints d'étanchéité sont fabriqués en fibres céramiques réfractaires (FCR), un matériau couramment utilisé dans ce type d'application. Nul besoin d'utiliser des vêtements de protection lorsque vous manipulez ces articles, toutefois il est recommandé de suivre les règles d'hygiène habituelles, c'est-à-dire ne pas fumer, ni manger ni boire sur le lieu de travail et toujours se laver les mains avant de manger ou de boire. Lorsque vous réalisez l'entretien de l'appareil, nous vous recommandons de ne pas briser les pièces remplacées mais plutôt de les mettre dans un sac en polythène ultrarésistant, scellé et portant l'étiquette « déchets FCR ». Les déchets FCR sont catégorisés comme des déchets dangereux stables et non réactifs, et peuvent être mis au rebut dans un site d'enfouissement agréé.
Composants électriques	(Kits de ventilateur, etc., le cas échéant)	Mettez-les au rebut dans votre centre de recyclage local, conformément à la directive DEEE.

INFORMAZIONI IMPORTANTI

GENERALI	Modello:					
	Studio 1 Studio 2 Studio 3			Studio 1	Studio 2	Studio 3
	Rendimento calorico nominale	Legno	kW	5.0	8.5	12.6
	Efficienza	Legno	%	77.8	76.3	76.1
	CO @ 13% O ₂	Legno	%	0.11	0.11	0.10
Peso		Kg	76	83	120	
Combustibili Consigliati		Legno	Legno stagionato (umidità inferiore al 20%)			

Sottoposto a collaudo in base alla normativa EN 13229 per combustione con funzionamento intermittente.

CANNA FUMARIA	Dimensione della canna fumaria/del camino	Con rivestimento o sistema prodotto in fabbrica (diametro) installato in conformità alle istruzioni del produttore	mm	153	153	153
			inch	6	6	6
	Canna fumaria/camino (altezza minima)	Tutti i prodotti	m	4.5	4.5	4.5
			feet	13	13	13
	Tiraggio canna fumaria	Minimo	mm Wg	1.0	1.0	1.0
		Nominale		1.5	1.5	1.5
		Massimo		2.0	2.0	2.0
	Flusso di massa del gas della canna fumaria	Legno	g/s	4.9	7.7	9.3
	Temperatura gas canna fumaria al raccordo/presa	Legno	°C	276	304	361
	Diametro uscita canna fumaria (opzione parte superiore)		mm	153	153	153
inch			6	6	6	

Specifiche minime europee per le canne fumarie - T400 N2 D 3 G50

VENTILAZIONE	A) Case di vecchia costruzione		B) Case di nuova costruzione			
	• Se la ventilazione è superiore a 5 m ³ /ora/m ² .		• Se la ventilazione è inferiore a 5 m ³ /ora/m ² .			
	• Ventilazione normalmente richiesta = 550 mm ² per una potenza kW superiore a 5 kW		• Ventilazione normalmente richiesta = 550 mm ² per kW			
	A	Ventilazione Aggiuntiva	mm ²	Nessuna	1925	4180
			cm ²	Nessuna	19.3	41.8
			in ²	Nessuna	3.0	6.5
B	Ventilazione Aggiuntiva	mm ²	2750	4675	6930	
		cm ²	27.5	46.8	69.3	
		in ²	4.44	7.2	10.7	

INFORMAZIONI GENERALI

Installazione Dell'apparecchio

Ogni installazione è unica per la struttura, quindi non è possibile fornire dettagli adatti ad ogni caso.

L'installazione deve soddisfare le normative edilizie e deve essere effettuata utilizzando i metodi di costruzione stabiliti nelle "migliori procedure".

Prestare attenzione durante l'installazione dell'apparecchio. Una manipolazione non accurata e l'utilizzo di strumenti possono danneggiare la rifinitura e/o l'area.

Sono previsti 2 metodi d'installazione:

1. L'installazione profilo Edge senza cornice
2. Montaggio con cornice decorativa

Molte aperture per i caminetti hanno un architrave di sostegno. Non rimuovere senza sostenere la struttura restante dell'edificio.

Non sostenere la struttura con l'apparecchio o il sistema della canna fumaria.

Tutti i metodi di installazione richiedono il montaggio di supporti di fissaggio dell'intelaiatura prima dell'installazione della scatola esterna.

Posizionamento dell'apparecchio

Questo apparecchio è collocato in una cavità, pertanto tutte le pareti vicine non classificate come pareti antincendio o ritenute inadatte per l'esposizione al calore devono essere protette da materiale costruttivo non infiammabile in conformità alle specifiche seguenti.

Sigillare tutti i giunti presenti nel materiale non infiammabile utilizzando il metodo consigliato dal fabbricante.

Ventilare lo spazio tra l'inserito e la cavità come specificato nelle presenti istruzioni.

Fare riferimento alle istruzioni per l'installazione del fabbricante quando si collega il sistema della canna fumaria verificando che la distanza rispetto ai materiali infiammabili sia mantenuta.

Assicurarsi che tutti i materiali infiammabili si trovino ad almeno 1 m dalla parte anteriore dell'apparecchio.

L'apparecchio deve essere installato a una certa distanza dal materiale costruttivo e non essere in contatto diretto con esso per consentire l'espansione termica dell'inserito.

Ventilazione

Non comprimere la parte vuota attorno o sopra l'apparecchio con materiali isolanti, come ad esempio lana di scoria o vermiculite.

Lo spazio vuoto costruito per la cassetta deve essere ventilato per prevenire un accumulo di calore. Se lo spazio vuoto è sigillato è necessario inserire sfoghi ai livelli alto e basso, di circa 20cm² ciascuno. Questi sfoghi devono prelevare l'aria fredda dall'ambiente e restituire aria calda all'ambiente stesso.

Nel lato della cappa del camino deve essere lasciato un portello di accesso per consentire future operazioni di assistenza e ispezione della canna fumaria e dell'apparecchio.



NOTA: Nel caso venisse montato un kit per la presa d'aria esterna, vanno consultati i manuali PM1384 prima dell'installazione.

Materiali costruttivi

Stovax consiglia di costruire l'involucro con i seguenti materiali:

Parete imperniata in metallo

Pannello non infiammabile: Pannello in silicato di calcio - NO PANNELLO ROSA

Intonaco termoresistente: Purimacho (eventuali crepe sottili che si formano dopo l'installazione dovranno essere livellate e riempite con Purimacho termoresistente per essere stabilizzate).

Assicurarsi che siano mantenute tutte le distanze rispetto ai materiali infiammabili.

Professionista registrato:

Prima dell'installazione e/o dell'utilizzo dell'apparecchio leggere attentamente le presenti istruzioni nella loro integrità per assicurarsi di comprendere tutte le indicazioni in esse contenute.

L'apparecchio deve essere montato da un installatore certificato o approvato dal funzionario locale addetto al controllo degli edifici.

Supporto strutturale:

In caso di installazione su un pavimento in legno verificare che i travetti del pavimento siano abbastanza resistenti da sostenere il peso dell'inserito, della canna fumaria e delle parti costruttive.

Focolare:

Occorre installare un focolare di costruzione profondo 125 mm e la relativa piastra decorativa da 12 mm per proteggere un pavimento infiammabile dall'eventuale caduta di braci in caso di montaggio direttamente sul pavimento.

Il focolare decorativo deve estendersi per 300 mm davanti al focolare ed essere realizzato in pietra naturale, cemento, metallo o vetro.

Distanze Da Materiali Combustibili:

Assicurarsi che il sistema del canale da fumo collegato sia posizionato a una distanza ragionevole da eventuali materiali infiammabili. Stovax raccomanda l'uso di un condotto interno quando si installa una canna fumaria in muratura. Si possono utilizzare metodi alternativi se la canna

fumaria è posizionata e dimensionata correttamente, sebbene potrebbe essere necessario un accesso per ottenere una tenuta efficace - ad es. utilizzando un adattatore per il canale.

Stovax raccomanda l'utilizzo di un sistema di canna fumaria isolata a doppia parete omologata in caso di installazione all'interno di una parete imperniata.

Non comprimere la parte vuota attorno o sopra l'apparecchio con materiali isolanti, come ad esempio lana di scoria o vermiculite.

Lo spazio vuoto costruito per la cassetta deve essere ventilato per prevenire un accumulo di calore. Se lo spazio vuoto è sigillato è necessario inserire sfoghi ai livelli alto e basso, di circa 20cm² ciascuno. Questi sfoghi devono prelevare l'aria fredda dall'ambiente e restituire aria calda all'ambiente stesso.

Nel lato della cappa del camino deve essere lasciato un portello di accesso per consentire future operazioni di assistenza e ispezione della canna fumaria e dell'apparecchio.

Sostenere la confezione esterna utilizzando una struttura con una cornice metallica fissata al pavimento/alla parete non combustibile.

Ispezione finale dell'installazione:

Una volta installato, l'apparecchio deve essere messo in funzione in conformità agli standard e alle pratiche per assicurare un perfetto funzionamento e una consegna corretta al cliente.

Canale da fumo e canna fumaria:

Il canale da fumo o la canna fumaria devono essere in grado di sopportare temperature interne fino a 400°C.

Il diametro esterno del manicotto di collegamento è 155 mm.

In modalità di funzionamento normale, il tiraggio dovrebbe essere di 20-25 Pa in prossimità del manicotto di collegamento. Sul tiraggio influiscono principalmente la lunghezza e l'area della canna fumaria oltre al suo grado di tenuta.

La lunghezza minima consigliata della canna fumaria è 3,5 m e la sua sezione trasversale ideale è di 150-200 cm² (diametro di 140-160 mm). Curve strette e tratti orizzontali nel canale da fumo riducono il tiraggio nella canna fumaria.

Deve essere possibile pulire il canale da fumo per tutta la sua lunghezza e gli sportelli di ispezione della fuliggine devono essere facilmente accessibili.

Verificare che la canna fumaria sia sigillata e che il fumo non fuoriesca dai collegamenti.

Erogazione dell'aria di combustione:

Una volta installato l'apparecchio, è fondamentale garantire un'adeguata erogazione d'aria nell'ambiente. L'aria può essere immessa indirettamente tramite una presa d'aria nella parete esterna o un condotto esterno collegato al manicotto sul lato inferiore dell'inserito. È necessario un volume di aria di combustione di circa 20 m³/ora.

Il diametro esterno del manicotto di collegamento dell'aria di combustione è 80 mm.

Se il condotto è lungo più di 1 m, il suo diametro deve essere portato a 100 mm e occorrerà una presa d'aria più grande sulla parete.

Negli ambienti riscaldati, il canale da fumo deve essere isolato per evitare la condensa utilizzando lana di roccia da 30 mm rivestita da una barriera vapore. Il foro nella parete (o nel pavimento) nel punto di uscita deve essere correttamente sigillato con un sigillante per canali da fumo.

È disponibile un tubo flessibile per fornire aria esterna direttamente nell'apparecchio che deve essere montato durante l'installazione.

Allarmi di monossido di carbonio:

Tutte le stufe dotate di canna fumaria aperta risentono delle condizioni atmosferiche temporanee, che possono determinare l'ingresso dei fumi all'interno della stanza. Ulteriori indicazioni sull'installazione del rilevatore di monossido di carbonio sono disponibili nella versione più recente della disciplina BS EN50292 e nelle istruzioni del produttore del sistema.

La presenza di un allarme non deve essere considerata una soluzione in grado di sostituire un'installazione corretta della stufa o la manutenzione e la riparazione periodiche della stufa e del sistema della canna fumaria.

SCHEDA DEL PRODOTTO - richiesta di informazioni per riscaldatore a combustibile solido per ambienti

Modello	Studio 1	Studio 2	Studio 3
Classe di efficienza diretta	A	A	A
Emissione di calore diretta (kW)	5.0	8.5	12.6
Emissione indiretta (kW)	-	-	-
Indice di efficienza energetica (EEI)	104	102	101
Efficienza energetica utile a emissione di calore nominale	77.8%	76.3%	76.1%
Precauzioni di sicurezza	Installare, utilizzare ed effettuare la manutenzione dell'apparecchio seguendo le istruzioni dei produttori		

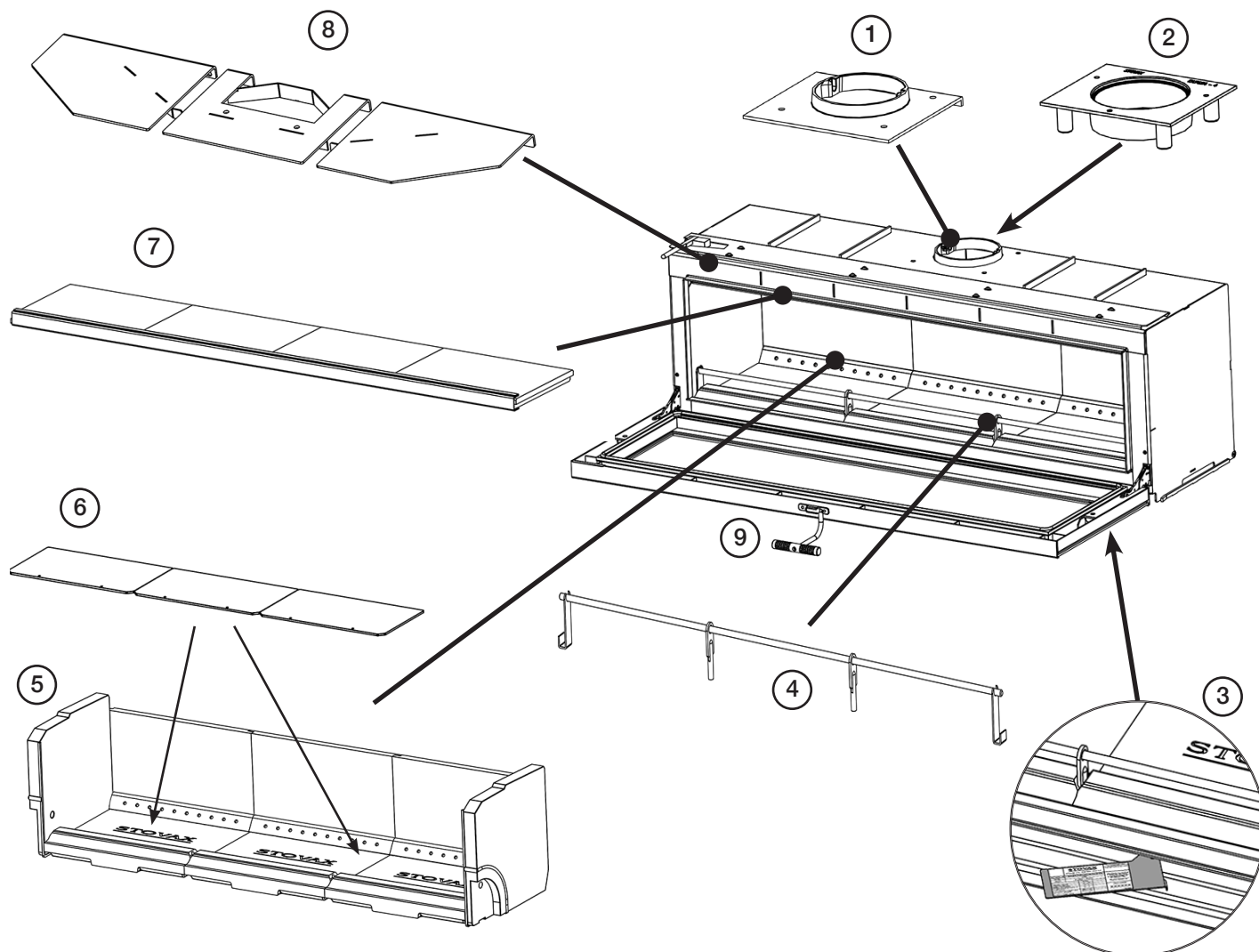
INFORMAZIONI SUL MATERIALE DEL PRODOTTO

Le sostanze, i preparati o i componenti seguenti devono essere smaltiti o recuperati separatamente rispetto ad altri RAEE in conformità all'articolo 4 della direttiva del Consiglio dell'UE 75/442/CEE.

Metallo	Acciaio	Possono essere conferiti a un centro di riciclaggio locale per il loro recupero al fine di ridurre la quantità di rifiuti portati in discarica.
	Ghisa	
Vetro		Possono essere conferiti a un centro di riciclaggio locale per il loro recupero al fine di ridurre la quantità di rifiuti portati in discarica.
Rivestimenti in vermiculite		Materiale non pericoloso. La vermiculite può essere frantumata e utilizzata per il substrato delle aiuole e la cenere destinata al compostaggio o portata presso un centro di riciclaggio locale per il suo recupero al fine di ridurre la quantità di rifiuti conferiti in discarica.
Guarnizioni		Le guarnizioni sono realizzate in fibra ceramica refrattaria (FCR), un materiale spesso utilizzato per questa applicazione. Non è necessario indossare indumenti di protezione quando si manipolano questi articoli ma è consigliato attenersi alle normali norme igieniche che prevedono il divieto di fumare, mangiare o bere nell'area di lavoro e di lavarsi sempre le mani prima di mangiare o bere. Durante gli interventi di assistenza sull'apparecchio si consiglia di non smontare i componenti sostituiti ma di sigillarli all'interno di sacchetti di polietilene resistenti e di contrassegnavarli come rifiuti FCR. I rifiuti FCR sono classificati come rifiuti pericolosi non reattivi e stabili e possono essere smaltiti in una discarica autorizzata.
Componenti elettrici	(kit di ventole ecc. se applicabile)	Smaltire presso un centro di riciclaggio locale in conformità alla direttiva RAEE.

PARTS IDENTIFIER/ IDENTIFICATION DES PIÈCES/
NUMERO IDENTIFICATIVO DELLE PARTI

STUDIO 3 SHOWN / STUDIO 3 ILLUSTRÉ / STUDIO 3 MOSTRATO



GB

ALL MODELS

1. Inner Flue Collar
2. Top Flue Collar
3. Dataplate*
4. Log Guard
5. Brick Assembly
6. Brick Protector
7. Baffle Bricks
8. Metal Baffle

STUDIO 3

9. Door Tool

* Studio 3 Data plate only accessible when door is closed

FR

TOUS LES MODÈLES

1. Buse de raccordement du conduit
2. Buse d'étanchéité
3. Plaque du Constructeur*
4. Garde-bûches
5. Assemblage de briques
6. Protecteur de brique
7. Briques Coupe-Feu Inférieures
8. Déflecteurs Supérieurs/

STUDIO 3

9. Poignée de porte

* La plaque du constructeur du Studio 3 n'est accessible que lorsque la porte est fermée.

IT

TUTTI I MODELLI

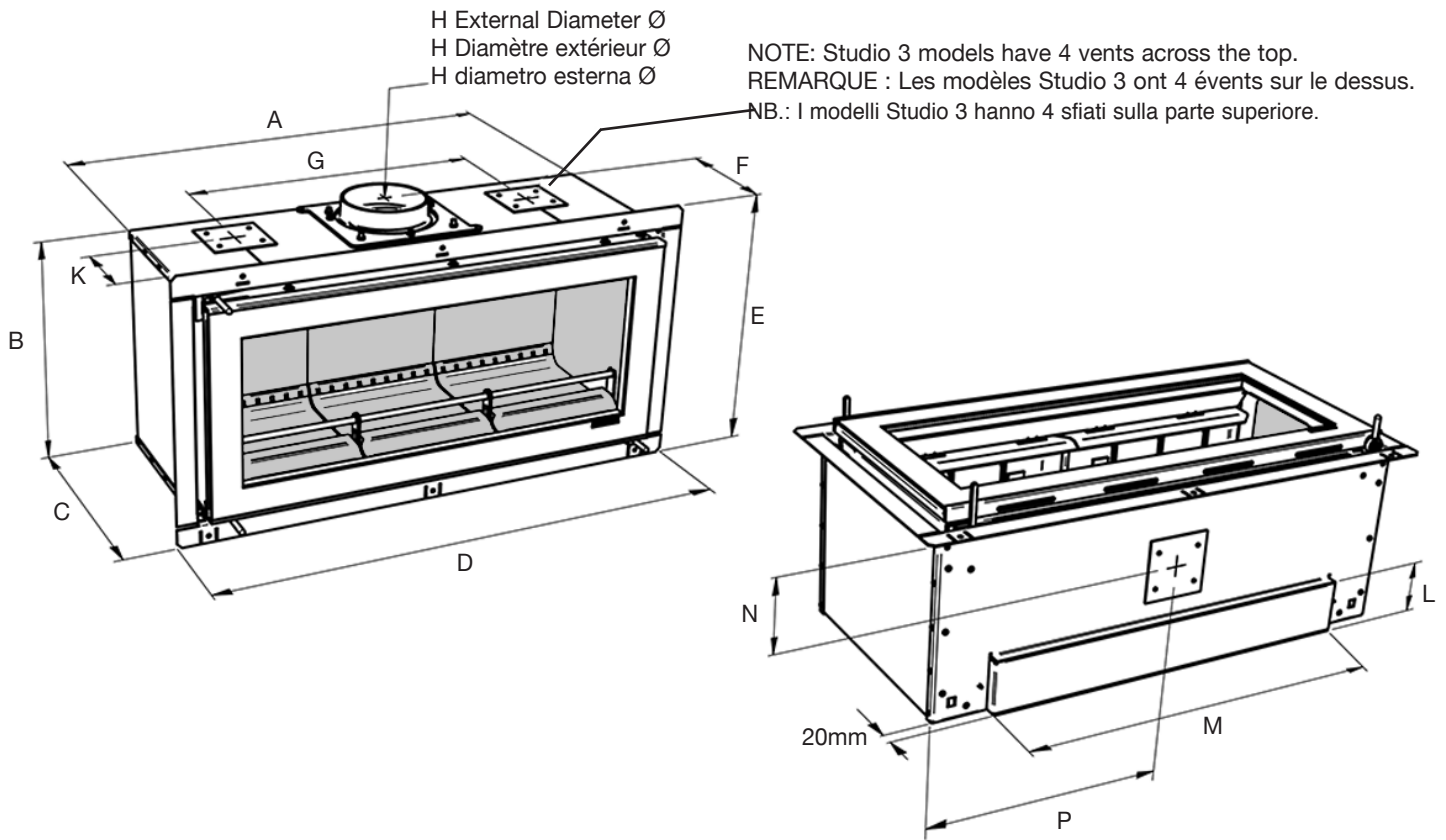
1. Flangia di scarico interna
2. Flangia di scarico superiore
3. Piastra dei dati*
4. Ferma-ciocchi
5. Assemblaggio di mattoni
6. Protettore di mattoni
7. Mattoncini Refrattari Del Pannello Inferiore
8. Deflettori Superiori

STUDIO 3

9. Strumento per l'apertura

*La piastra dei dati di Studio 3 è accessibile solo quando lo sportello è chiuso

DIMENSIONS/ DIMENSIONI



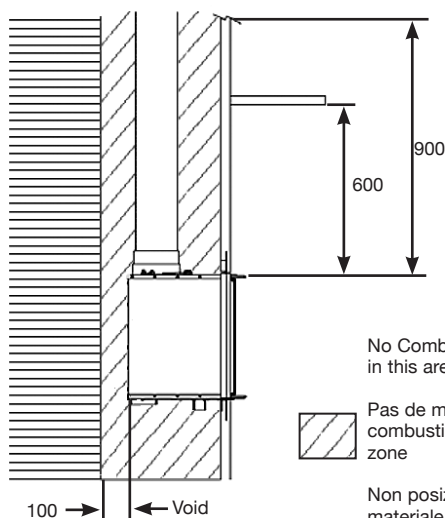
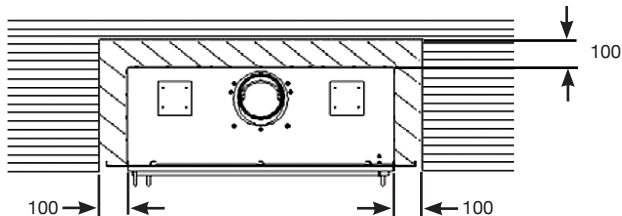
	A	B	C	D	E	F	G	H	K	L	M	N	P
Studio 1	745	415	350	821	497	246	480	153 (6")	240	96	593	155	372.5
Studio 2	950	440	350	1019	522	246	610	153 (6")	240	105	736	150	472.5
Studio 3	1332	450	393	1406	532	291	610 1010*	153 (6")	275	105	736	150	766

All dimensions in mm
Toutes les dimensions sont en mm
Tutte le dimensioni in mm

CLEARANCE TO COMBUSTIBLE MATERIAL/ DISTANCE DES MATÉRIAUX COMBUSTIBLE/ DISTANZA MINIMA DAL MATERIALE FIAMMABILE

MINIMUM DISTANCE TO COMBUSTIBLE MATERIAL
DISTANCE DES MATÉRIAUX COMBUSTIBLE
DISTANZA MINIMA DAL MATERIALE FIAMMABILE

HEARTH DIMENSIONS
DIMENSIONS DE L'ÂTRE
DIMENSIONI FOCOLARE

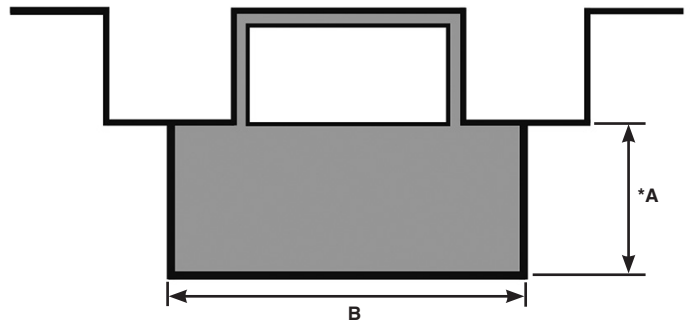


No Combustible Material in this area

Pas de matériau combustible dans cette zone

Non posizionare il materiale combustibile in quest'area

All dimensions in mm
Toutes les dimensions sont en mm
Tutte le dimensioni in mm



DIMENSIONS/DIMENSIONI (MM)	A (Min)	B
Studio 1	500	1050
Studio 2	500	1250
Studio 3	500	1650



*Stovax recommends that the depth of the Decorative Hearth is equal to or greater than the height of the appliance from the floor, OR, the length of the door from the wall when in the open position.

USE WHICHEVER FIGURE IS GREATER.

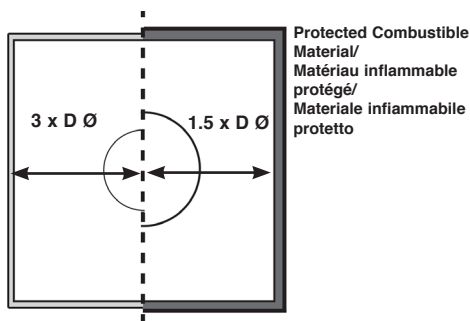
*Stovax recommande une profondeur d'âtre décoratif égale ou supérieure à la hauteur de l'appareil à partir du sol OU à la longueur de la porte en position ouverte.

*Stovax consiglia che la profondità del Focolare Decorativo sia uguale o maggiore dell'altezza dell'apparecchio dal pavimento, OPPURE, della lunghezza dello sportello dalla parete quando è in posizione aperta.

SCEGLIERE IL NUMERO MAGGIORE TRA I DUE.

FLUE CLEARANCES DÉGAGEMENTS DE CHEMINÉE DISTANZE DEI FUMI

Unprotected Combustible Material/
Matériau inflammable non protégé/
Materiale infiammabile non protetto



Protected Combustible Material/
Matériau inflammable protégé/
Materiale infiammabile protetto

12mm thick Decorative hearth/
Âtre décoratif 12 mm d'épaisseur/
Focolare decorativo spesso 12 mm

125mm hearth thickness
(Constructional and Decorative combined)
Épaisseur de l'âtre 125 mm
(Parties construites et décoratives combinées)
Spessore del focolare 125 mm
(focolare di costruzione più focolare decorativo)



If installed at a height above 600mm from the floor there is no need for a constructional hearth in front of the appliance.

Si l'appareil est installé à 600 mm au-dessus du sol, il est inutile de construire un âtre devant.

In caso di installazione a un'altezza maggiore di 600 mm dal pavimento non è necessario il focolare di costruzione davanti all'apparecchio.

PRE-INSTALLATION/ INSTRUCTIONS AVANT L'INSTALLATION/ PRE-INSTALLAZIONE

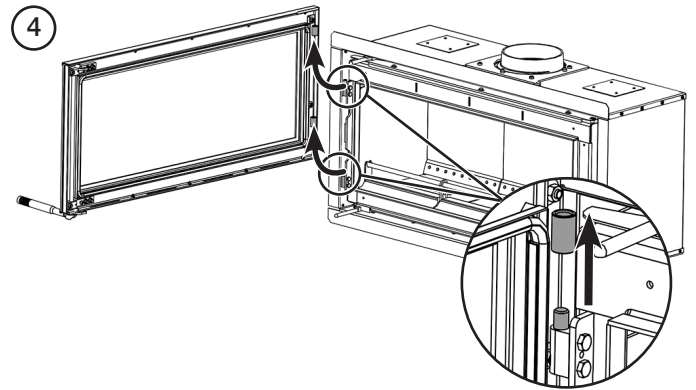
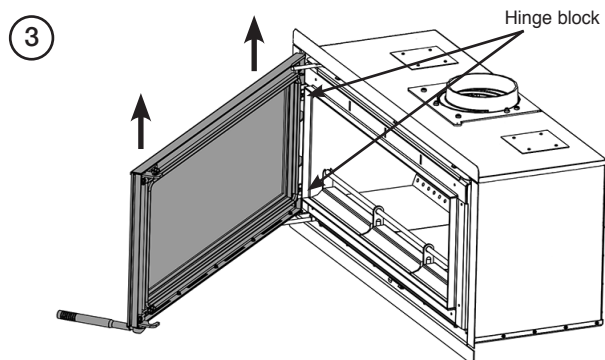
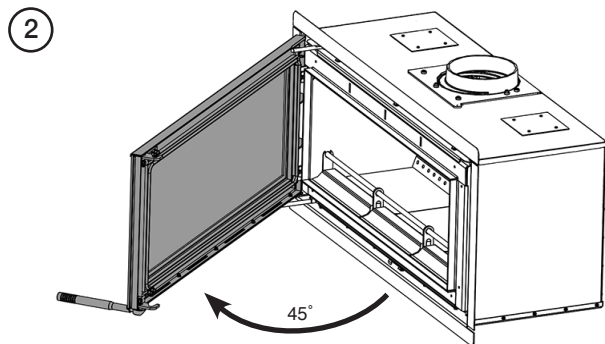
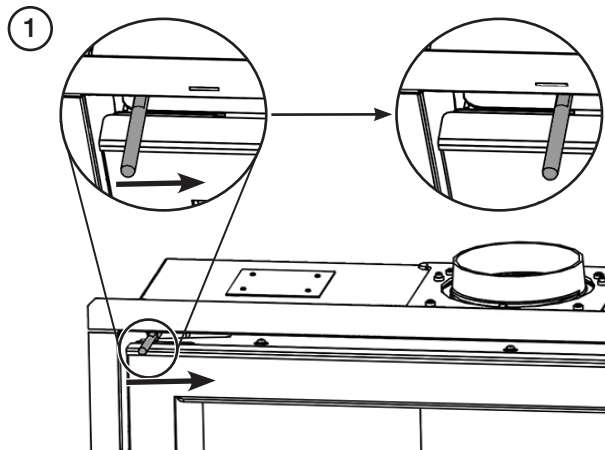
GB: To make the installation of the appliance easier it is best to remove the internal components before fitting into the builders opening/ studwork.

FR: Pour faciliter l'installation de l'appareil, il est préférable d'enlever les composants internes avant de l'installer dans l'ouverture/ossature.

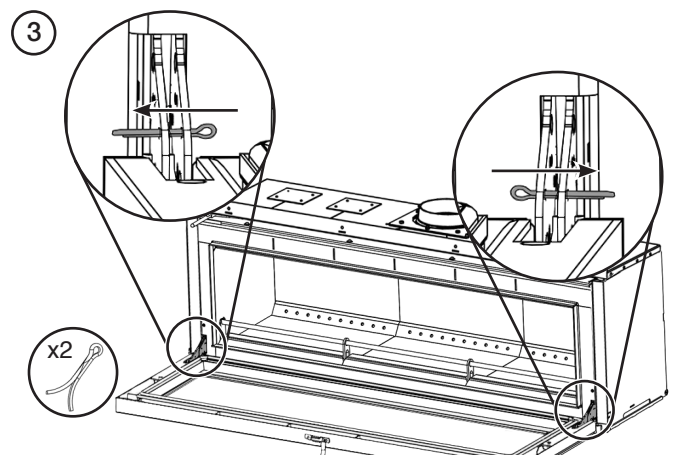
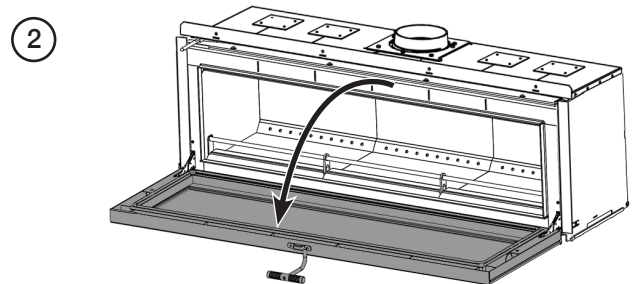
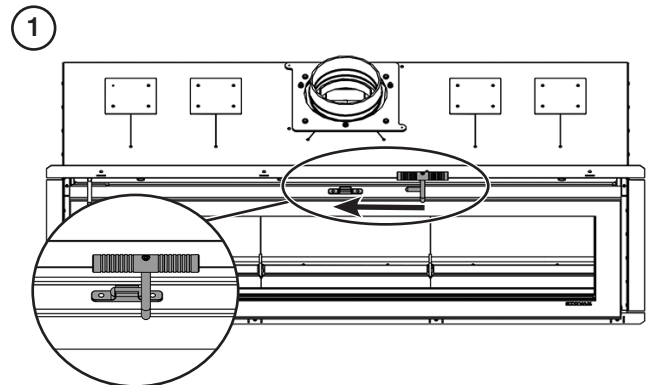
IT: Per semplificare l'installazione della stufa, rimuovere i componenti interni prima di integrarli nella bocca del camino/nell'intelaiatura di sostegno.

DOOR/ PORTE/ SPORTELLO

STUDIO 1 & 2



STUDIO 3



REMOVAL OF INTERNAL COMPONENTS/ RETRAIT DES COMPOSANTS INTERNES/ RIMOZIONE DEI COMPONENTI INTERNI

GB: In the firebox of the Studio are several loose items including:

- A box containing:
Baffle Bricks
Firebricks
- Bag containing Instruction Manual, Warranty & Door Tool, Log Guard End Supports
- Log Guard
- Front Baffle Support

Remove these carefully and put them safely to one side.

They can be fitted after the appliance has been installed, see Installation Section.

FR: Le poêle du Studio contient plusieurs éléments non fixés, y compris :

- Une boîte contenant :
Des briques coupe-feu
Des briques réfractaires
- Un sac contenant un manuel d'instruction, la garantie et un outil pour la porte, Des supports d'extrémité pour le garde-bûches
- Un garde-bûches
- Un support coupe-feu avant

Retirer ces éléments soigneusement et les mettre de côté en lieu sûr.

Ils pourront être mis en place une fois que l'installation de l'appareil sera terminée. Se reporter à la section Installation.

IT: Nella camera di combustione dello Studio sono presenti diversi elementi non fissati, quali:

- Una scatola contenente:
Mattoncini per il deflettore
Mattoncini refrattari
- Un sacchetto contenente il manuale d'istruzioni, la garanzia, lo strumento per la regolazione dello sportello, i supporti laterali del ferma-ciocchi
- Ferma-ciocchi
- Supporto del deflettore anteriore

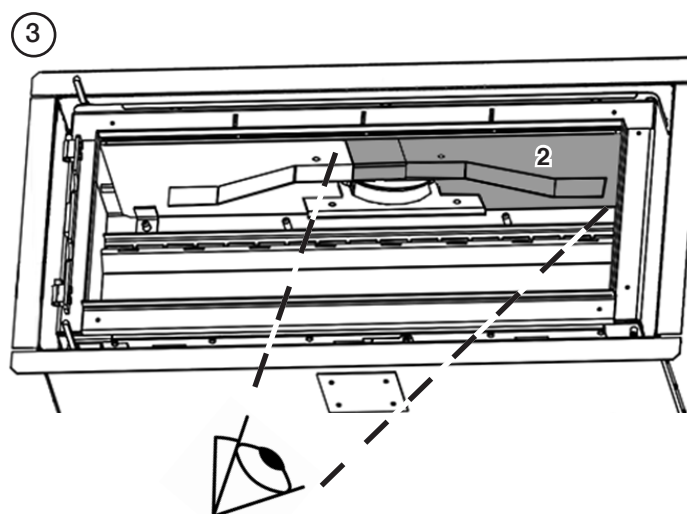
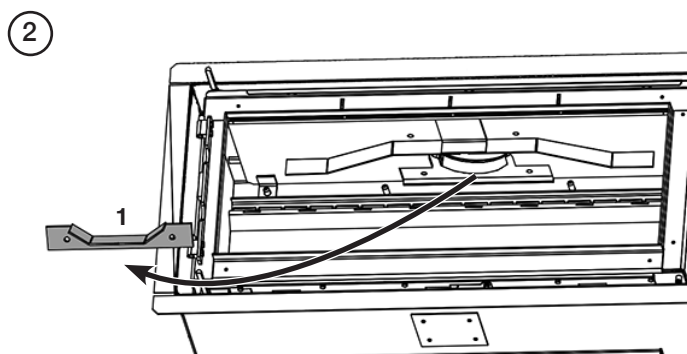
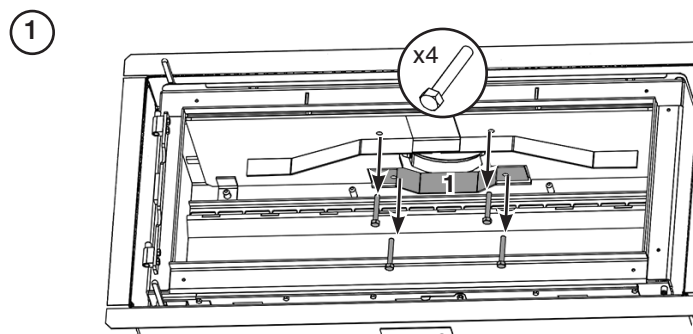
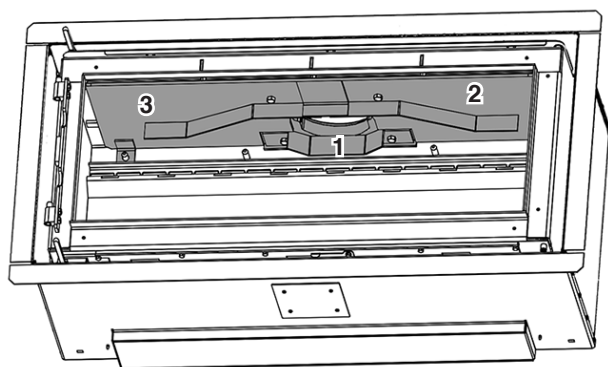
Rimuovere con cura questi oggetti e metterli da parte in modo sicuro.

È possibile montarli una volta completata l'installazione.

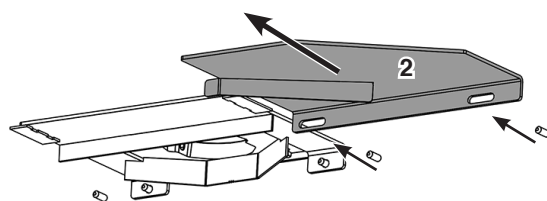
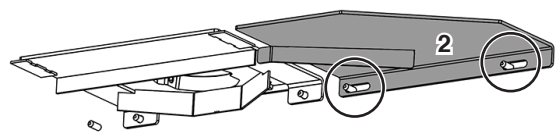
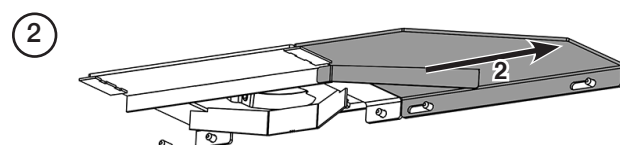
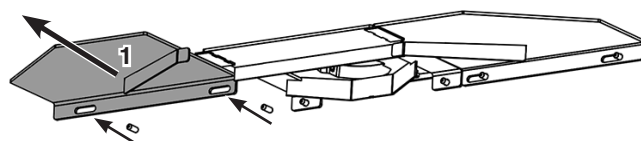
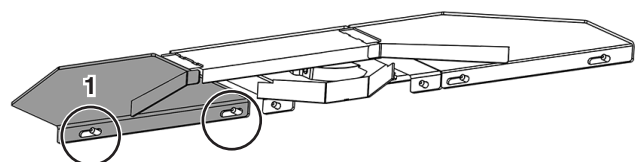
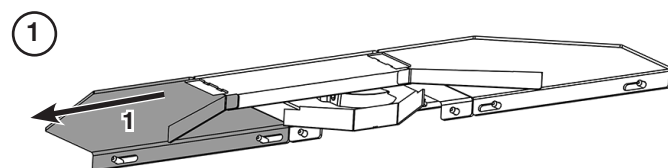
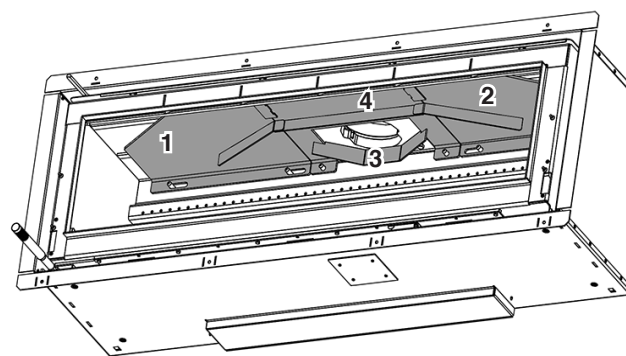
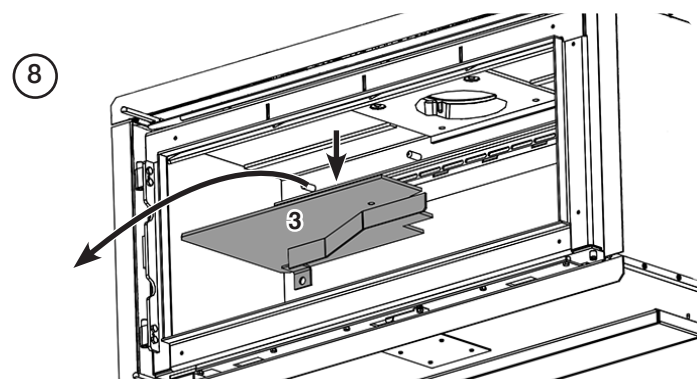
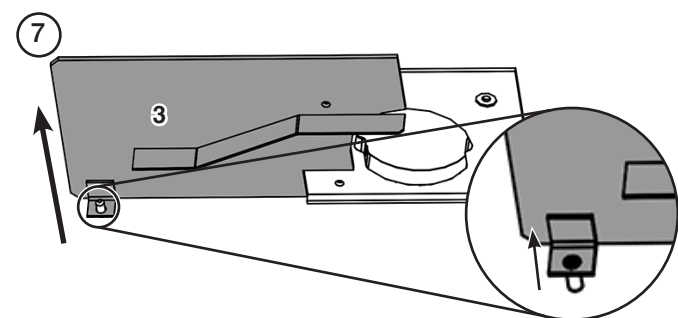
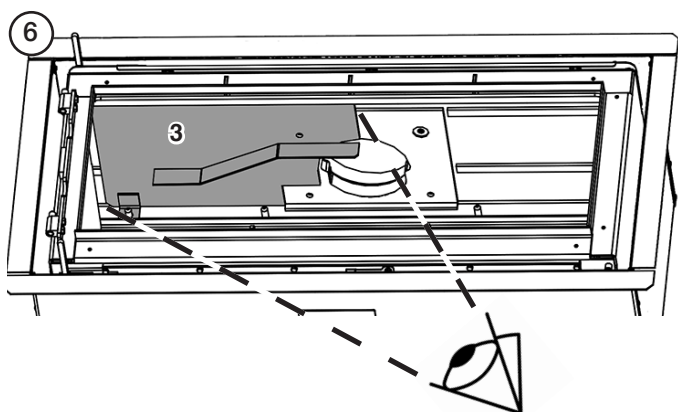
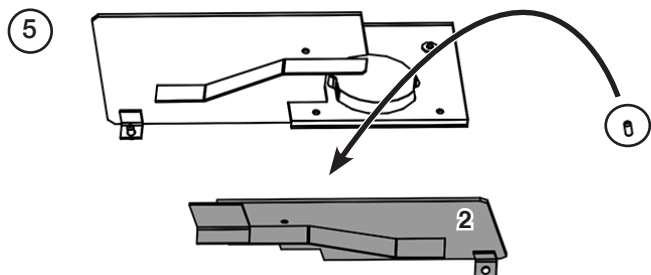
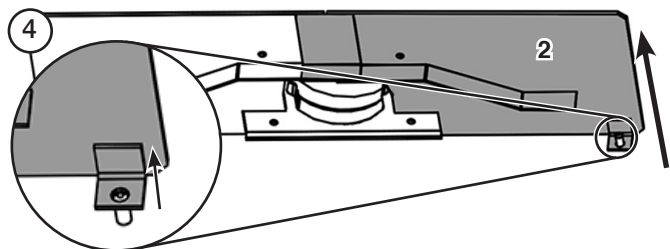
TOP BAFFLES/ DÉFLECTEURS SUPÉRIEURS/ DEFLETTORI SUPERIORI

STUDIO 1 & 2

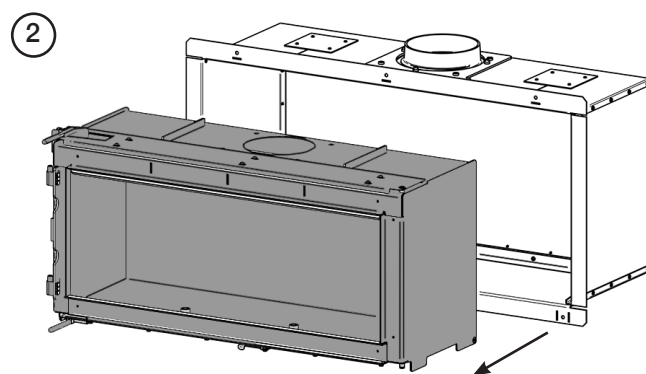
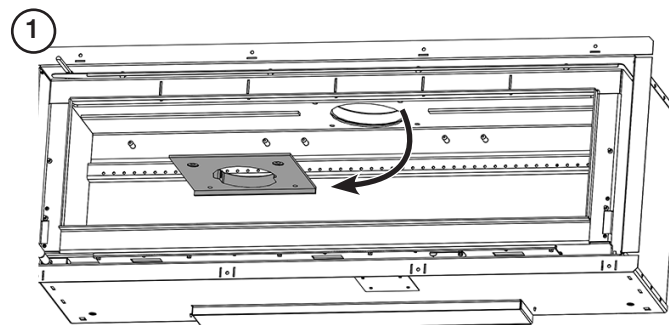
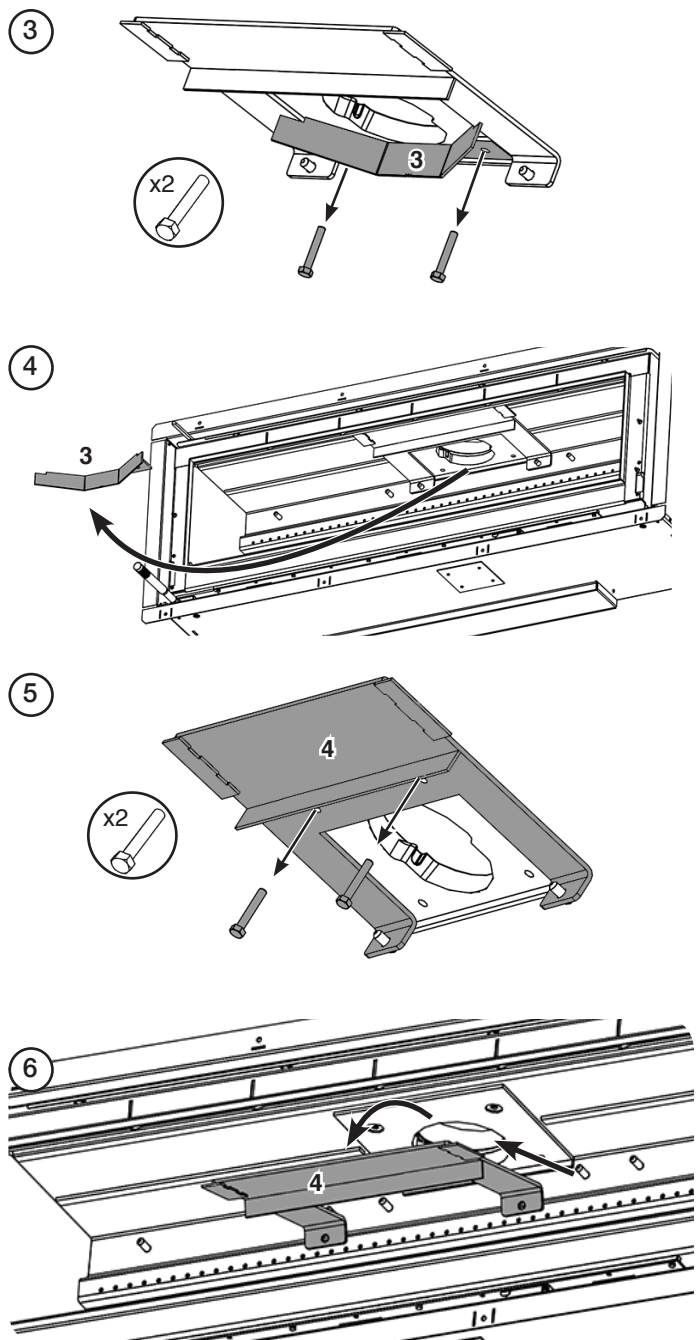
Studio 2 Shown/ Studio 2 illustré/ Studio 2 mostrato



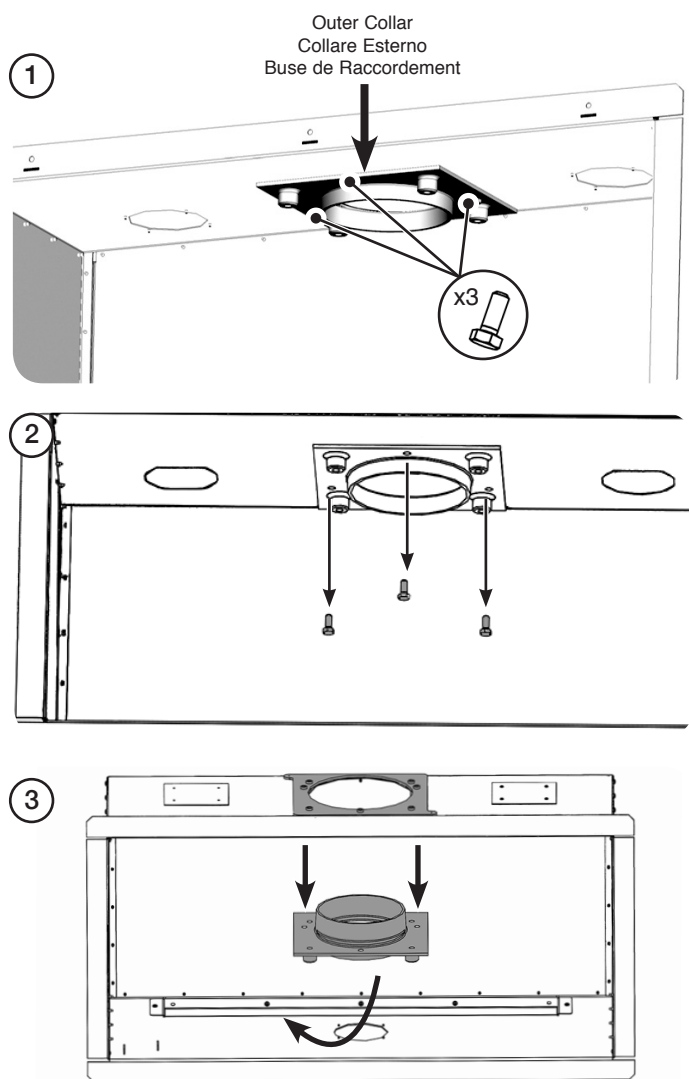
STUDIO 3



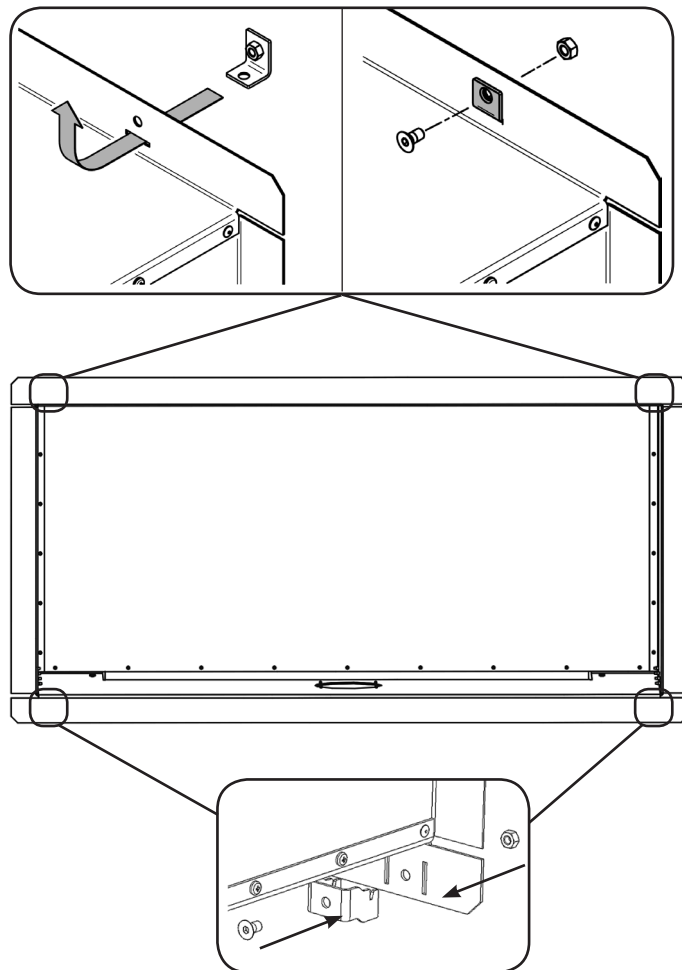
INNER COLLAR/ BUSE D'ETANCHÉITÉ/
ANELLO INTERNO



REMOVAL OF OUTER COLLAR/
RETRAIT DU COLLIER EXTERNE/
RIMOZIONE DEL COLLARE ESTERNO



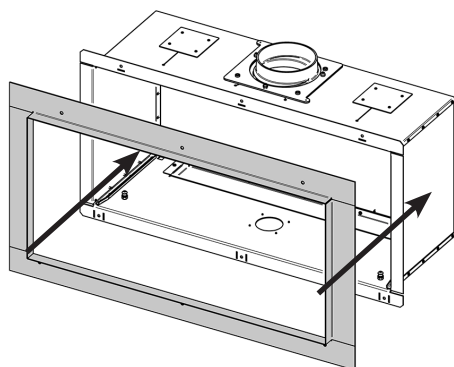
DECORATIVE FRAME INSTALLATION/
CADRE DÉCORATIF INSTALLATION/
CORNICE DECORATIVA



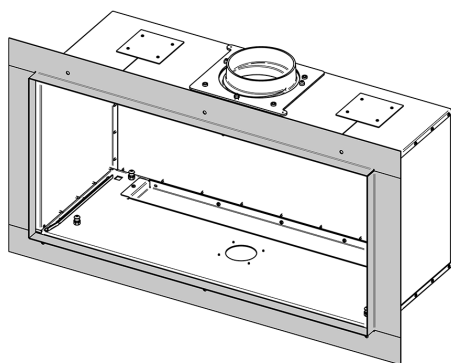
**FRAMELESS EDGE INSTALLATION KIT/
KIT D'INSTALLATION DU STUDIO EDGE/
FILO PARETE CON CORNICE ZERO**

Studio 1 Code No. RVS-1FEK,
Studio 2 Code No. RVS-2FEK,
Studio 3 Code No. RVS-3FEK.

①



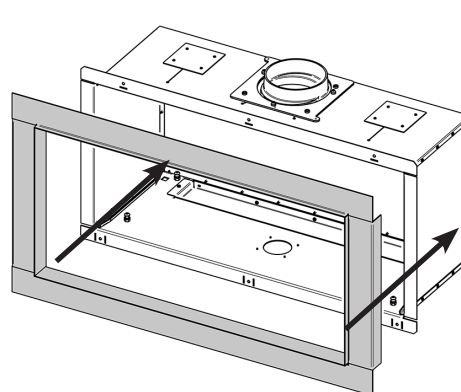
②



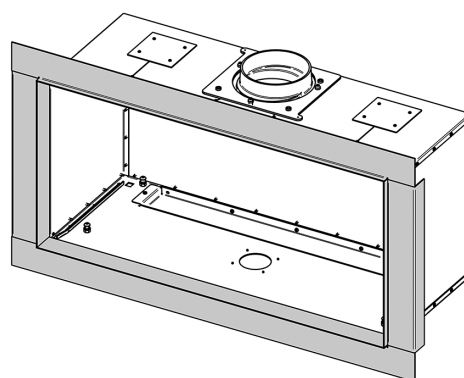
**'COOL WALL' INSTALLATION KIT/
KIT D'INSTALLATION 'COOL WALL/
"ZERO PARETE FREDDA"**

Studio 1 Code No. RVS-1FCWK,
Studio 2 Code No. RVS-2FCWK,
Studio 3 Code No. RVS-3FCWK.

①

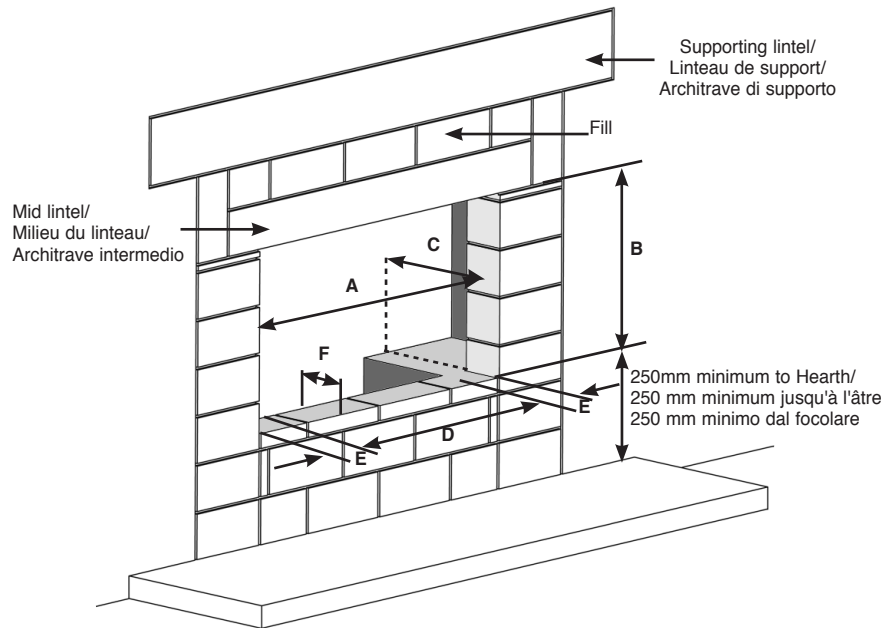


②



INSTALLATION/ INSTALLAZIONE

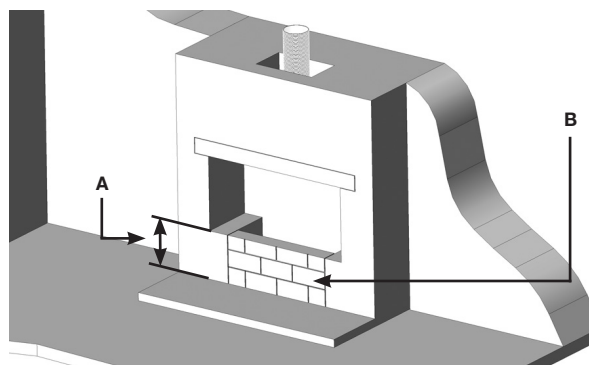
FITTING TO A MASONRY CHIMNEY INSTALLATION DANS UNE CHEMINÉE EN MAÇONNERIE MONTAGGIO IN UN CAMINO IN MURATURA



DIMENSION/ DIMENSIONI	A	B	C	D	E	F
Studio 1	765	435	360	615	75	100
Studio 2	970	460	360	820	75	100
Studio 3	1352	475	405	1202	75	100

INSTALLATION/ INSTALLAZIONE

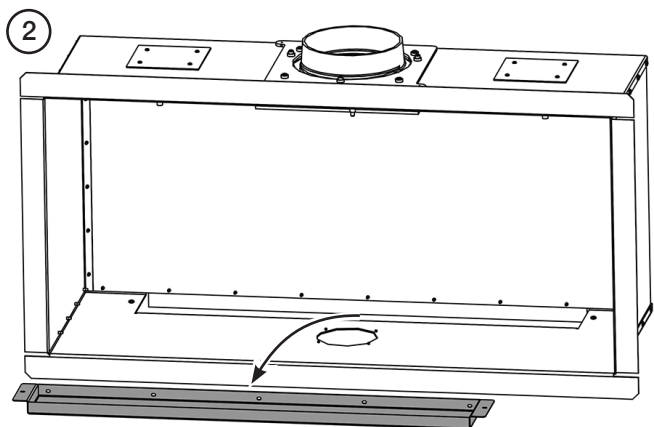
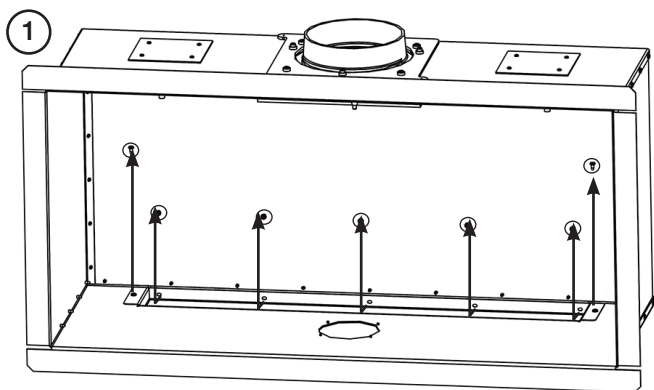
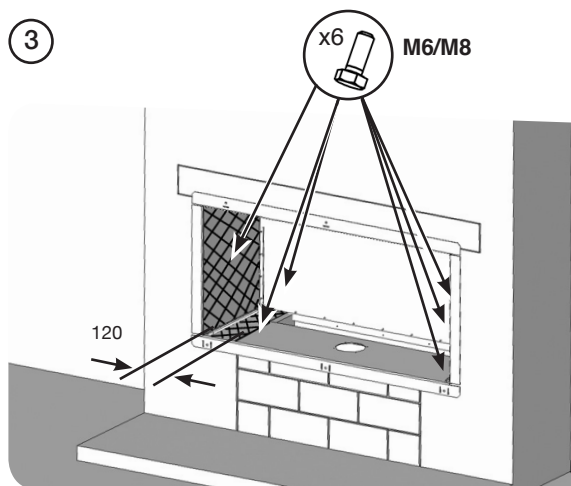
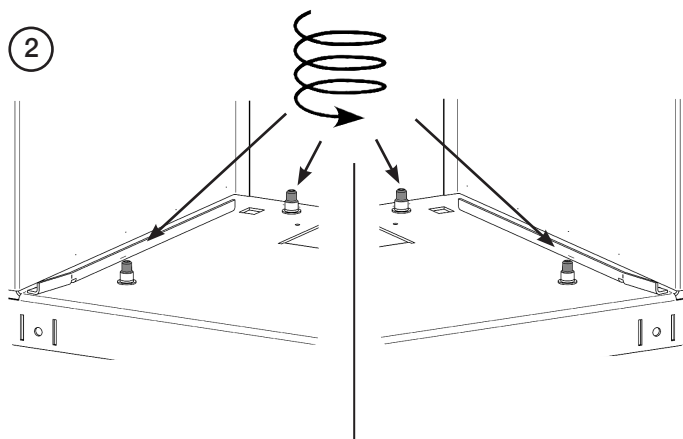
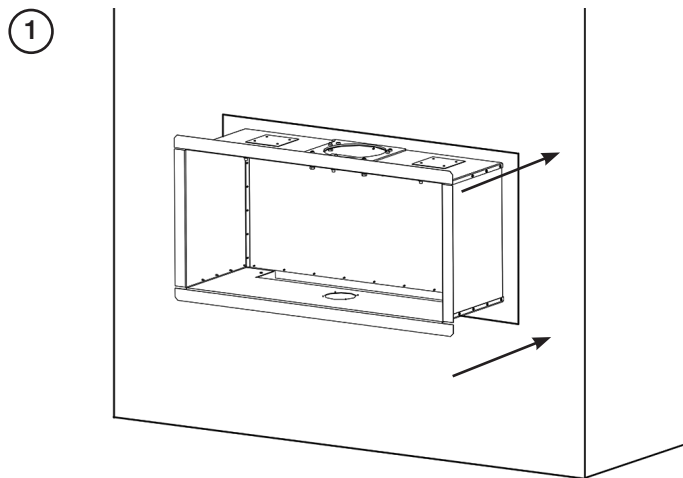
FAN KIT
KIT VENTILATEUR
KIT VENTOLA



A
GB: 250mm minimum if fan kit fitted
FR: 250 mm minimum jusqu'à l'âtre
IT: 250 mm minimo dal focolare

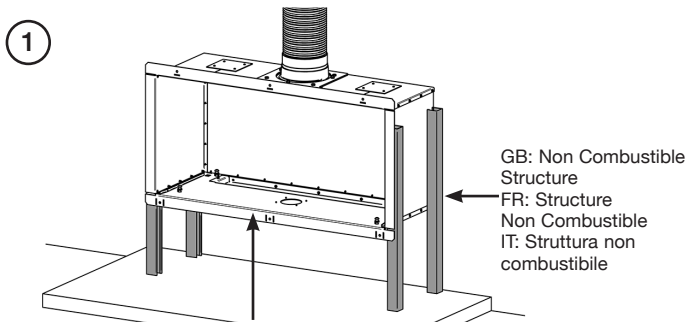
B
GB: Ensure provision for a vent of at least 20cm² is made
FR: Assurez-vous de laisser un espace d'au moins 20cm² pour une bouche d'aération
IT: Assicurarsi di installare uno sfiato di almeno 200mm².

INSTALLATION/ INSTALLAZIONE

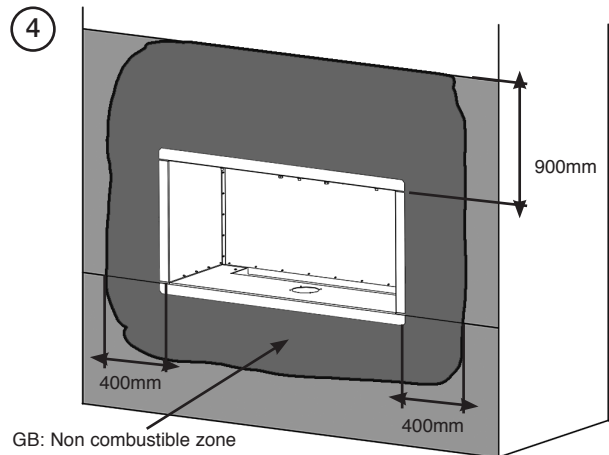
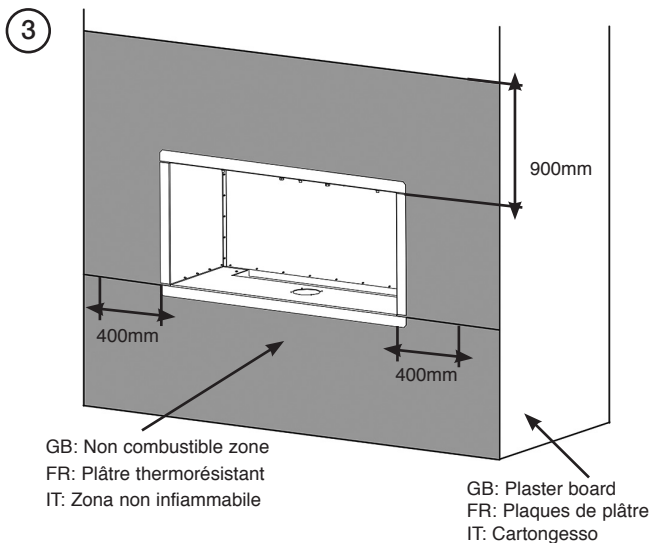
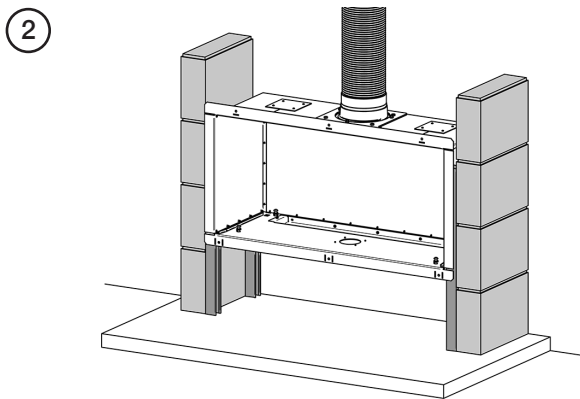


INSTALLATION/ INSTALLAZIONE

STUDWORK INSTALLATION/ INSTALLATION SUR OSSATURE/ INSTALLAZIONE DELLO SCHELETRO



GB: Use Non Combustible structure to support across the bottom
FR: Utilisation de structure non-combustible pour soutenir le fond
IT: Utilizzare una struttura non combustibile per fornire sostegno nella parte inferiore



GB: To finish this installation, connect:

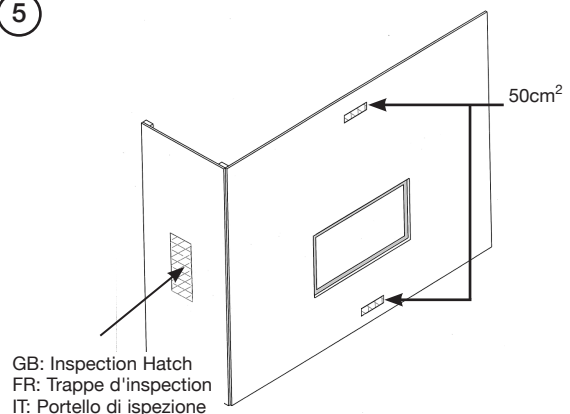
- The flue system (see Installation, Flue Assembly)
- Electrical services (for fan installation - optional) using the opening in the side of the chimney breast for access.
- The Outside Air Kit (optional)
- Convection Ducting Kit (optional)

FR: Pour le raccordement prendre en considération les points suivants:

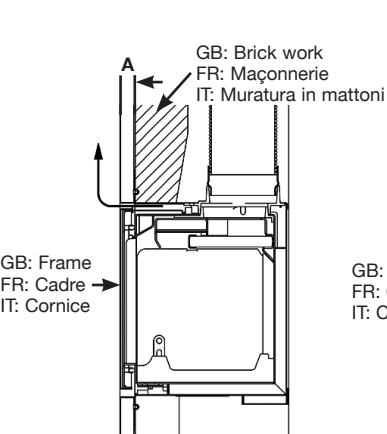
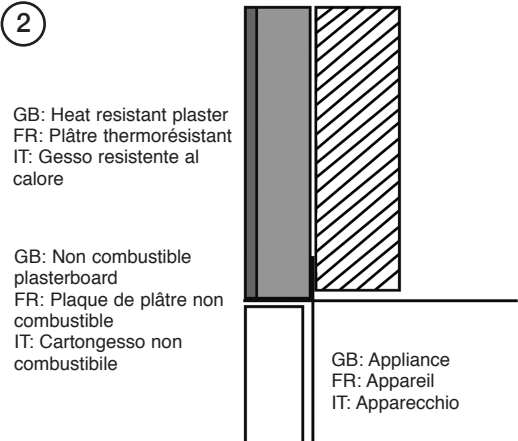
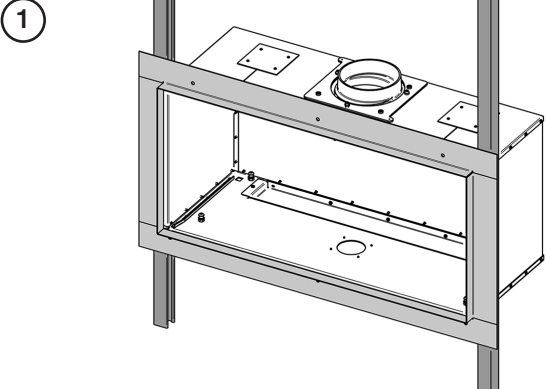
- Servitudes électriques (pour l'installation du ventilateur) par l'ouverture sur le côté de la cheminée.
- Le kit d'air externe (en option)
- Le kit de conduit de convection (en option)
- le conduit de fumée (voir Installation, Assemblage du conduit de fumée)

IT: Per terminare questa installazione, Connettere:

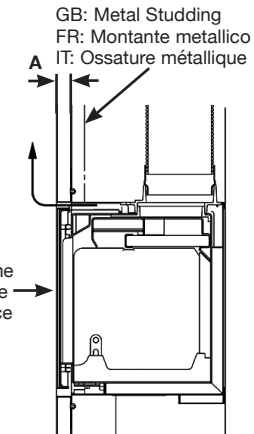
- il sistema di canna fumaria (vedere Installazione, Assemblaggio della canna fumaria).
- e i servizi elettrici (per l'installazione della ventola - opzionale) utilizzando l'apertura sul lato della cappa del camino per consentire l'accesso.
- Il kit di aerazione esterno (opzionale).
- Kit di condotti di convezione (opzionale).



**FRAMELESS EDGE INSTALLATION/
D'INSTALLATION DU STUDIO EDGE/
FILO PARETE CON CORNICE ZERO**

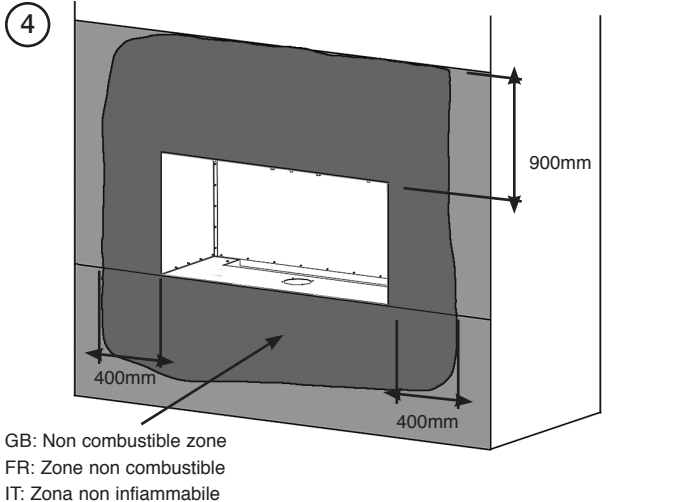
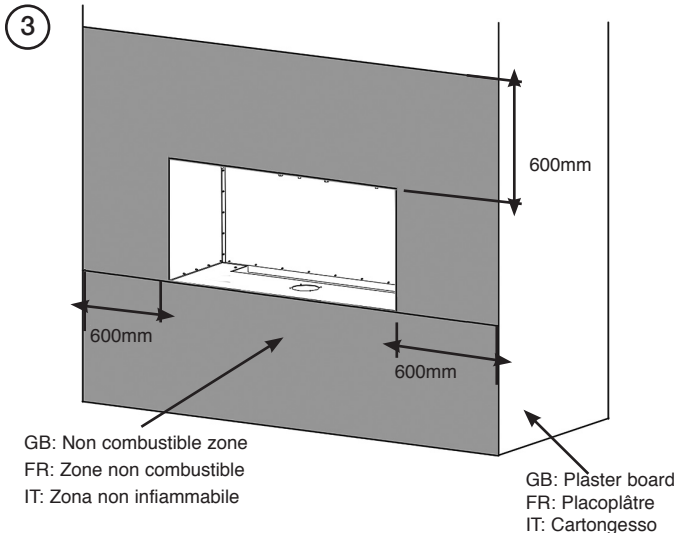


GB: Brick chimney
FR: Cheminée en brique
IT: Camino in mattoni



GB: Stud chimney
FR: Habillage métallique
IT: Camino a montante

	A (mm)
Studio 1 & 2	34
Studio 3	44.5



i **GB: To finish this installation, connect:**

- The flue system (see Installation, Flue Assembly)
- Electrical services (for fan installation - optional) using the opening in the side of the chimney breast for access.
- The Outside Air Kit (optional)
- Convection Ducting Kit (optional)

FR: Pour le raccordement prendre en considération les points suivants:

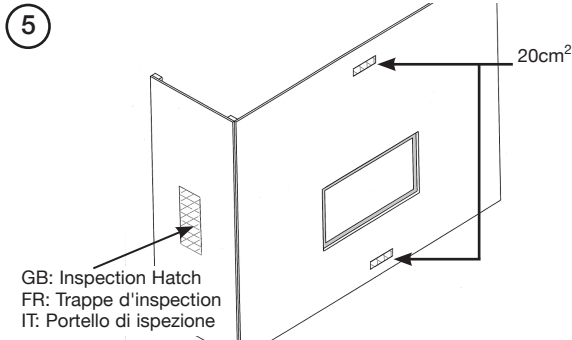
- Servitudes électriques (pour l'installation du ventilateur) par l'ouverture sur le côté de la cheminée.

Le kit d'air externe (en option)

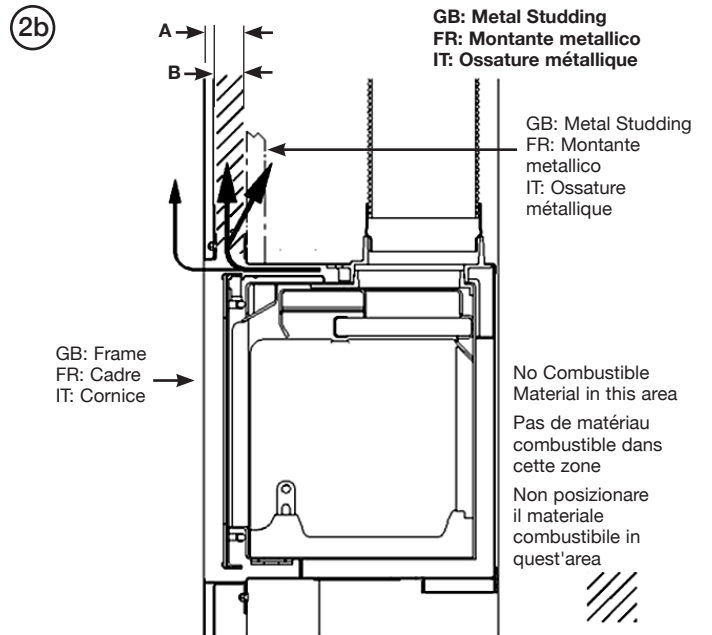
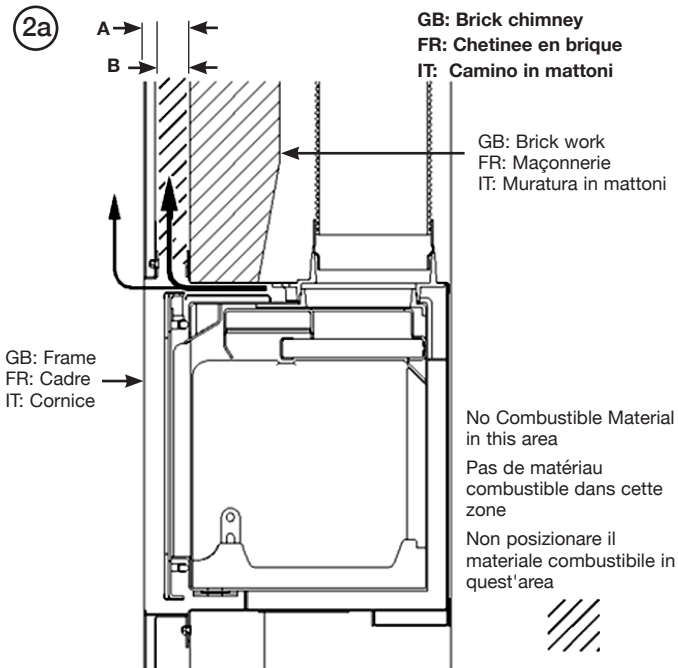
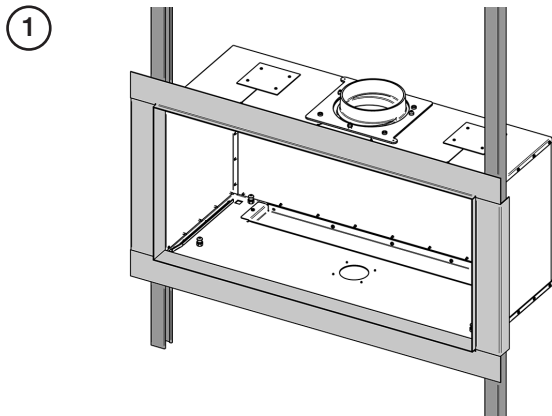
- Le kit de conduit de convection (en option)
- le conduit de fumée (voir Installation, Assemblage du conduit de fumée)

IT: Per terminare questa installazione, Connettere:

- il sistema di canna fumaria (vedere Installazione, Assemblaggio della canna fumaria).
- e i servizi elettrici (per l'installazione della ventola - opzionale) utilizzando l'apertura sul lato della cappa del camino per consentire l'accesso.
- Il kit di aerazione esterno (opzionale).
- Kit di condotti di convezione (opzionale).

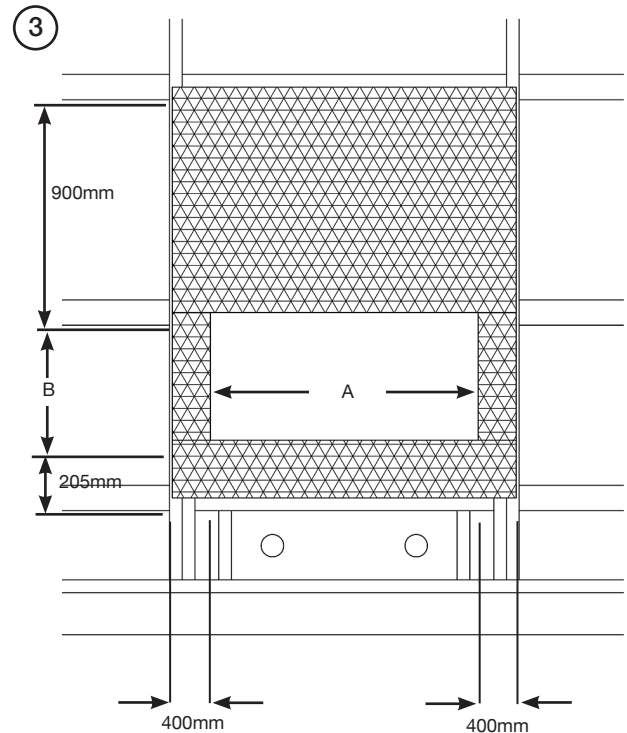


**'COOL WALL' INSTALLATION KIT/
KIT D'INSTALLATION 'COOL WALL/
"ZERO PARETE FREDDA"**

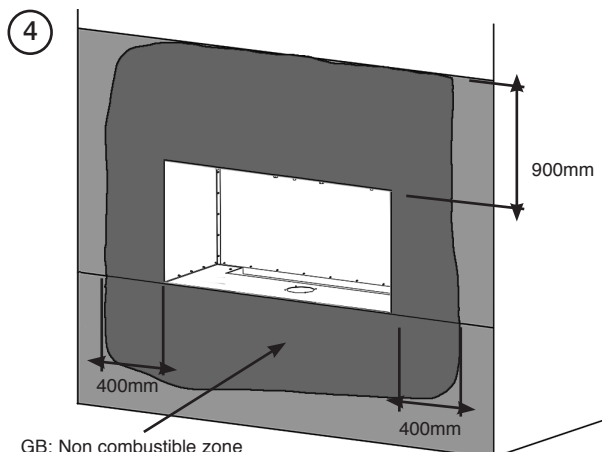


MODEL	A	B
Studio 1 & 2	59	43
Studio 3	70	54

**NON COMBUSTIBLE ZONE/ PLÂTRE THERMORÉSISTANT/
ZONA NON INFIAMMABILE**



	A	B
Studio 1	750	429
Studio 2	950	452
Studio 3	1337	463



**ALTERNATIVE FLUE OUTLET COLLAR/
BUSE DE RACCORDEMENT AVEC UN ANGLE DE 10°/
COLLARE DI USCITA ALTERNATIVO DELLA CANNA FUMARIA**

GB: This appliance can be fitted with an angled outer flue collar. This will give extra clearance by locating the flue liner towards the back of the box. It is available as an optional extra and should be fitted before installation instead of the straight outer collar.

FR: Cet appareil peut être équipé d'une buse de raccordement déportée qui permet d'augmenter les dégagements en localisant le conduit vers l'arrière du boîtier. Il est disponible en option et doit être installé au lieu du collier externe standard avant de procéder à l'installation.

IT: Questo apparecchio può essere dotato di un collare esterno angolato per canna fumaria. Ciò offre ulteriore spazio libero collocando il rivestimento della canna fumaria verso la parte posteriore della confezione. È disponibile come extra opzionale e va applicato prima dell'installazione invece del collare esterno dritto.

GB: Non combustible zone
FR: Zone non combustible
IT: Zona non infiammabile

i GB: To finish this installation, connect:

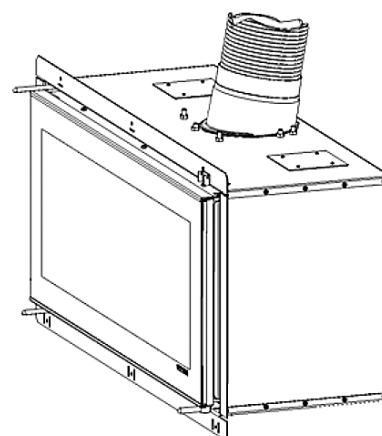
- The flue system (see Installation, Flue Assembly)
- Electrical services (for fan installation - optional) using the opening in the side of the chimney breast for access.
- The Outside Air Kit (optional)
- Convection Ducting Kit (optional)

FR: Pour le raccordement prendre en considération les points suivants:

- Servitudes électriques (pour l'installation du ventilateur) par l'ouverture sur le côté de la cheminée.
- Le kit d'air externe (en option)
- Le kit de conduit de convection (en option)
- le conduit de fumée (voir Installation, Assemblage du conduit de fumée)

IT: Per terminare questa installazione, Connettere:

- il sistema di canna fumaria (vedere Installazione, Assemblaggio della canna fumaria).
- e i servizi elettrici (per l'installazione della ventola - opzionale) utilizzando l'apertura sul lato della cappa del camino per consentire l'accesso.
- Il kit di aerazione esterno (opzionale).
- Kit di condotti di convezione (opzionale).



5 GB: Metal Studding
FR: Montante métallique
IT: Ossature métallique

Detail A

GB: Inspection Hatch
FR: Trappe d'inspection
IT: Portello di ispezione

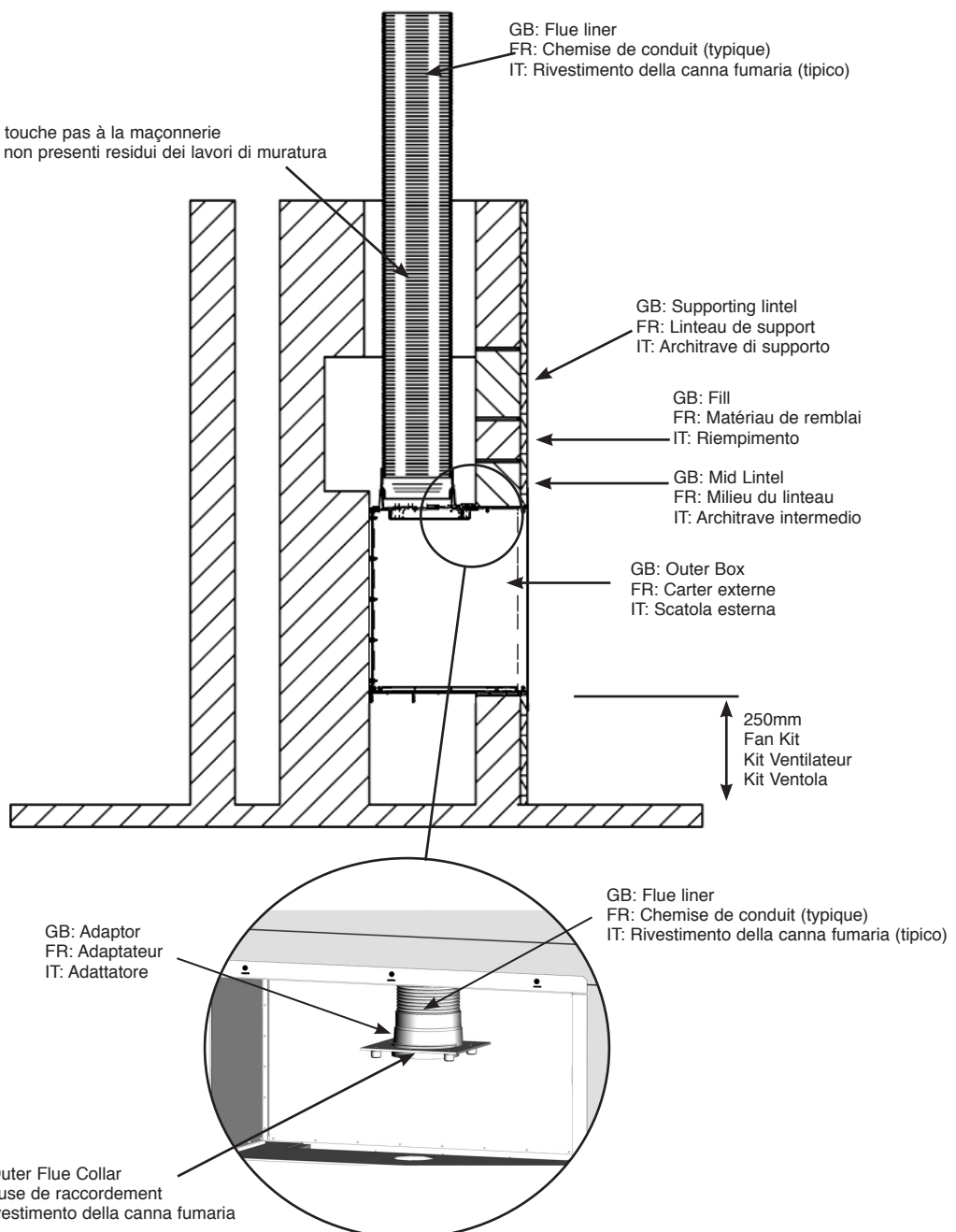
GB: Non combustible plasterboard
FR: Plaque de plâtre non combustible
IT: Cartongesso non combustibile

FLUE ASSEMBLY/ ASSEMBLAGE DU CONDUIT DE FUMÉE/ ASSEMBLAGGIO DELLA CANNA FUMARIA

FITTING TO A MASONRY CHIMNEY INSTALLATION DANS UNE CHEMINÉE EN MAÇONNERIE MONTAGGIO IN UN CAMINO IN MURATURA

i **GB:** In a masonry installation it is recommended the appliance is used in conjunction with an insulated flue liner
FR: Dans une installation de maçonnerie, il est recommandé d'utiliser l'appareil en conjonction avec un conduit de cheminée isolé
IT: In un'installazione in muratura si consiglia di utilizzare l'apparecchio insieme a una canna fumaria isolata

GB: Ensure flue is clear of masonry
FR: Assurez-vous que le conduit ne touche pas à la maçonnerie
IT: Assicurarsi che la canna fumaria non presenti residui dei lavori di muratura



FLUE ASSEMBLY/ ASSEMBLAGE DU CONDUIT DE FUMÉE/
ASSEMBLAGGIO DELLA CANNA FUMARIA

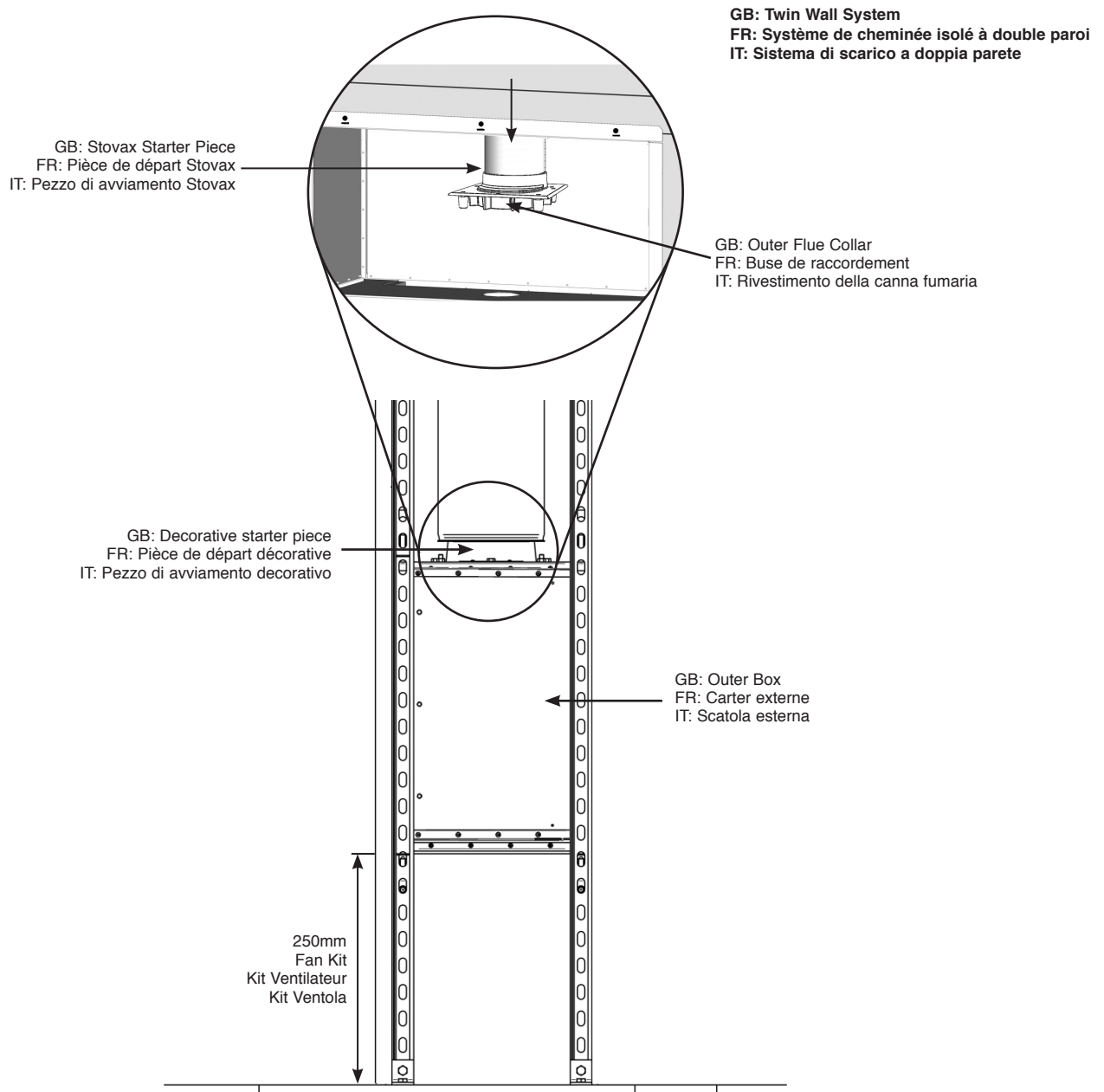
STUDWORK INSTALLATION
INSTALLATION SUR OSSATURE
INSTALLAZIONE DELLO SCHELETRO



GB: In a studwork installation it is recommended that this appliance is used in conjunction with a twin wall flue system that is used the entire length of the flue down to the appliance. Stovax have designed their own Professional XQ range and details of this product are available from your Stovax retailer.

FR: Utiliser un système de cheminée isolé à double paroi lors de l'installation dans une ossature murale.

IT: In un'installazione a montanti si consiglia di utilizzare questo apparecchio in combinazione con un sistema di scarico a doppia parete che viene utilizzato per l'intera lunghezza della canna fumaria fino all'apparecchio.



**FITTING OF INTERNAL COMPONENTS/
INSTALLATION DES COMPOSANTS
INTERNES
INSTALLAZIONE DEI COMPONENTI
INTERNI**

GB: Once the inner box has been installed the internal components can be fitted.

FR: Une fois le corps de chauffe installé, les composants internes peuvent être installés.

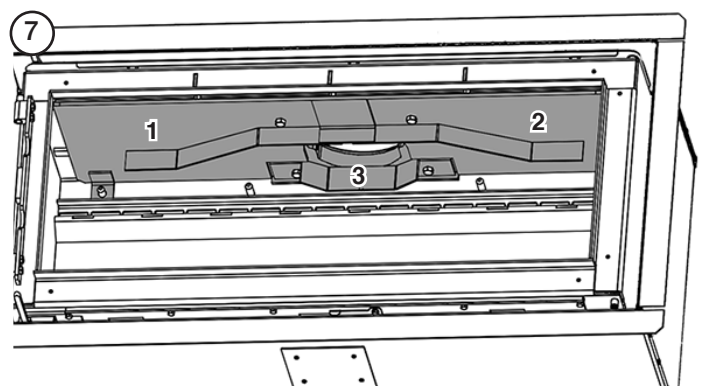
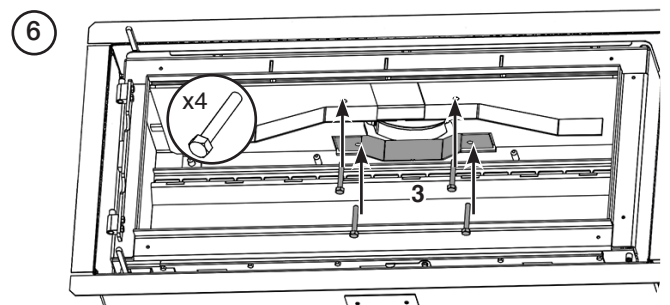
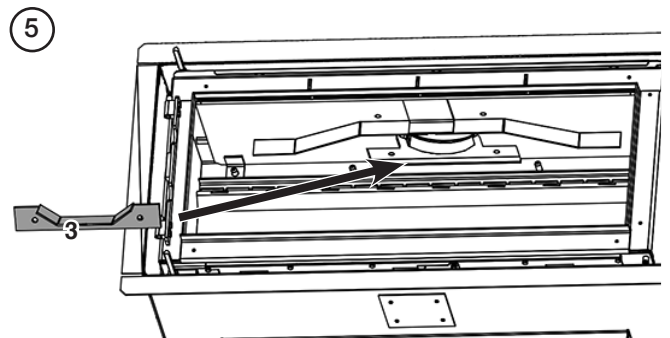
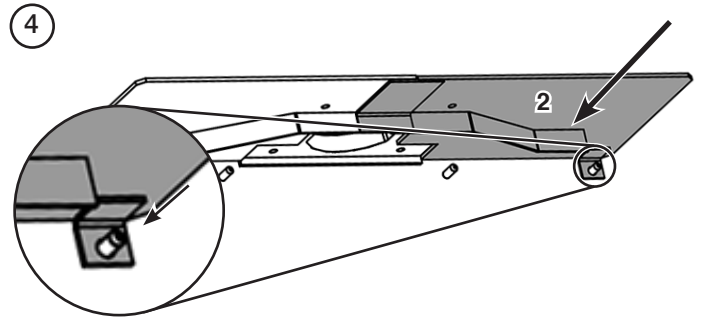
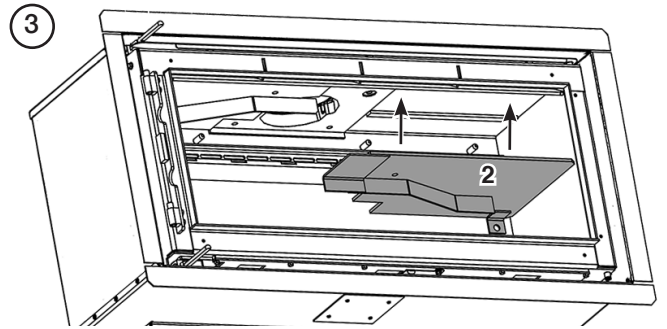
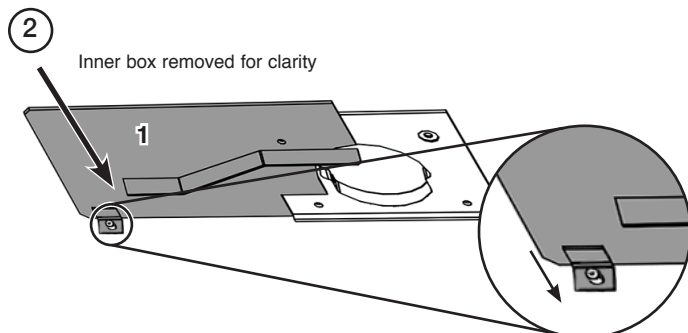
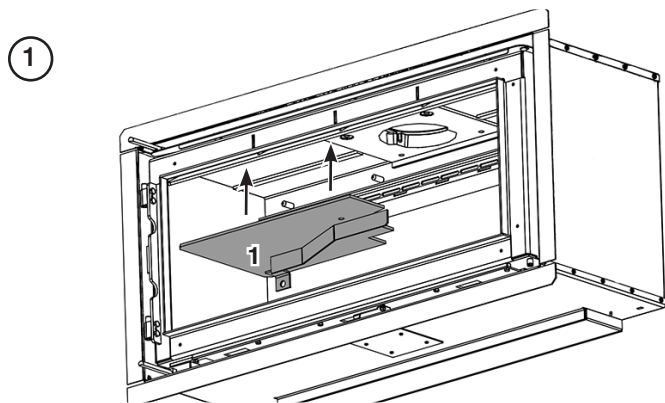
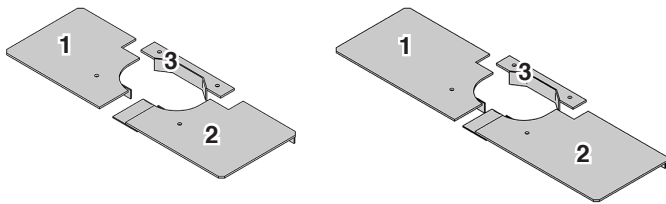
IT: Dopo aver installato la cassa interna, è possibile montare i componenti interni.

**UPPER METAL BAFFLE/
DÉFLECTEURS SUPÉRIEURS/
DEFLETTORI SUPERIORI**

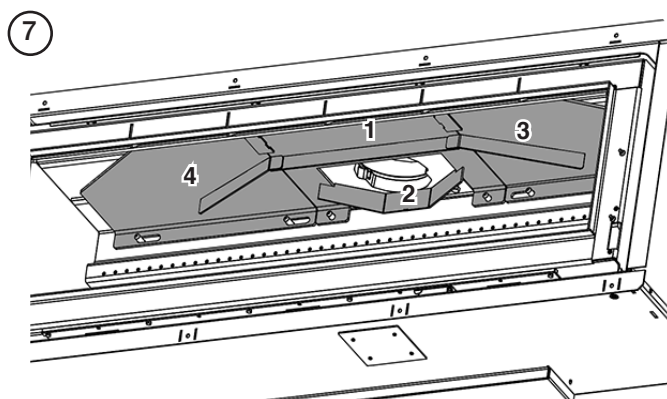
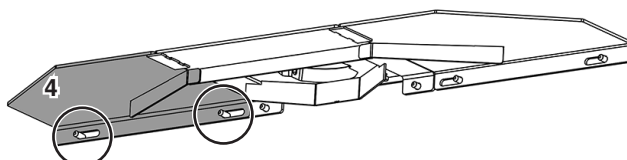
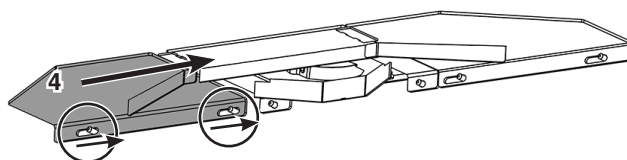
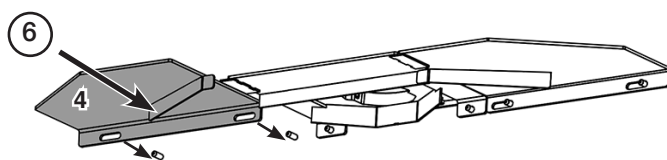
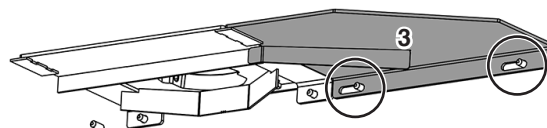
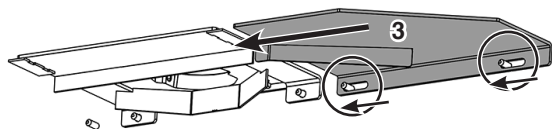
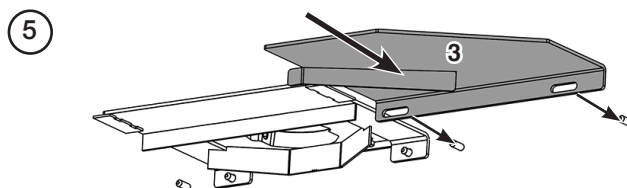
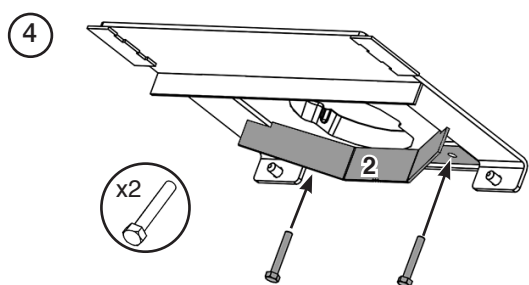
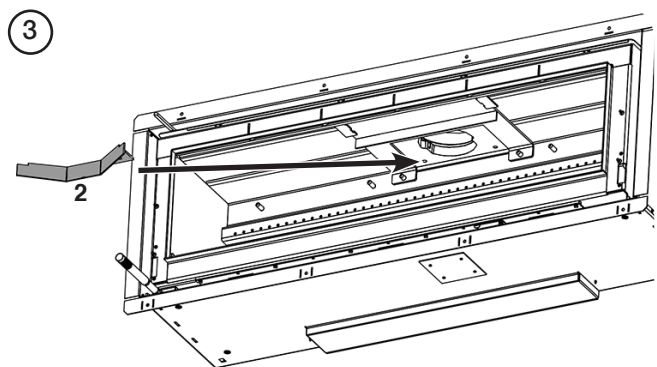
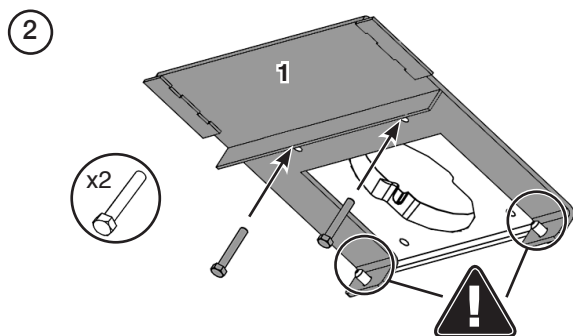
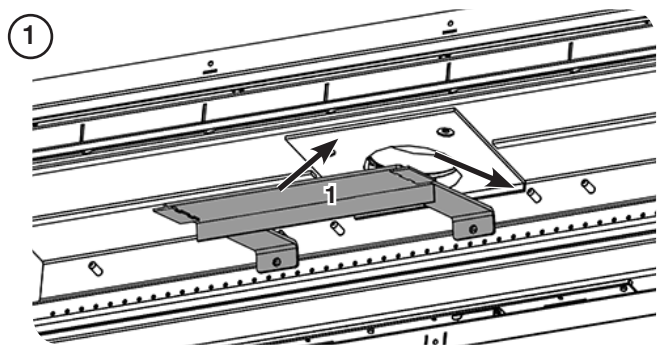
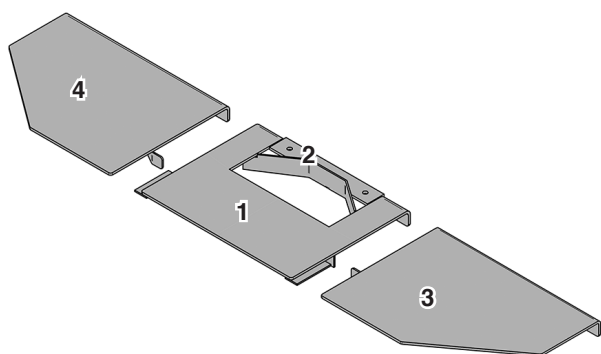
STUDIO 1 & 2

Studio 1

Studio 2

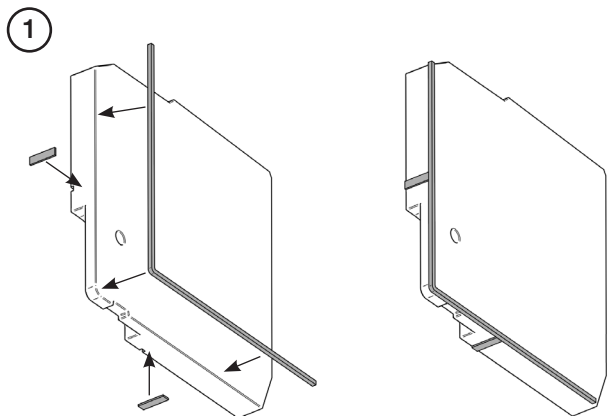


STUDIO 3

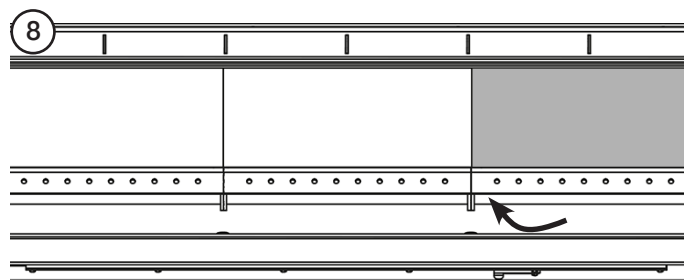
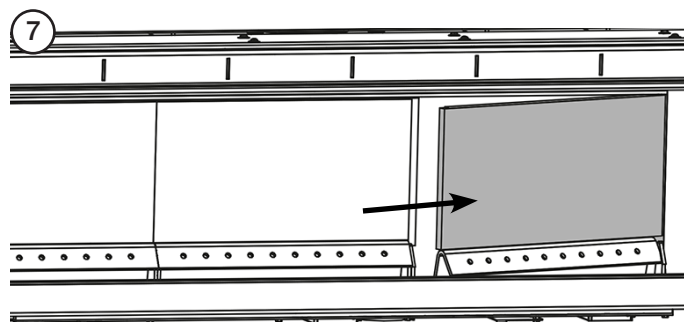
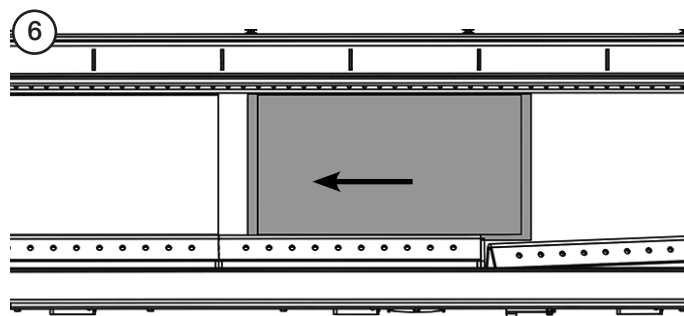
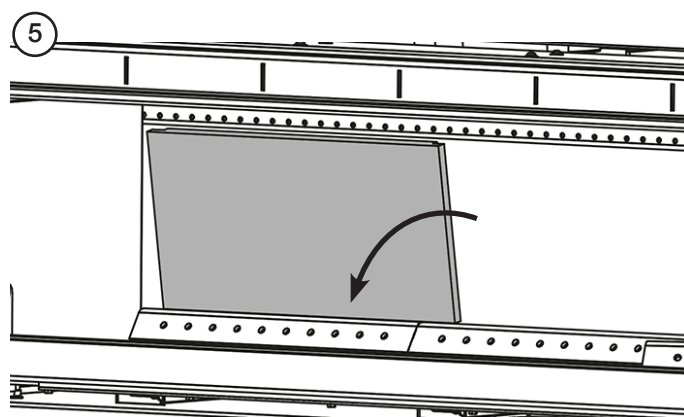
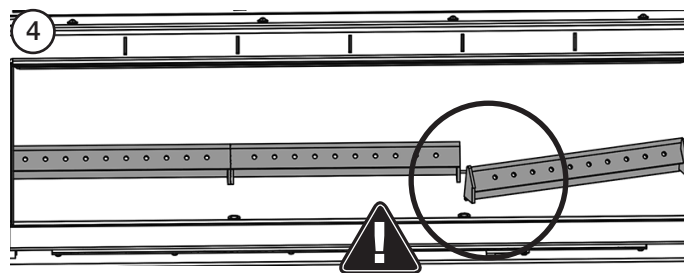
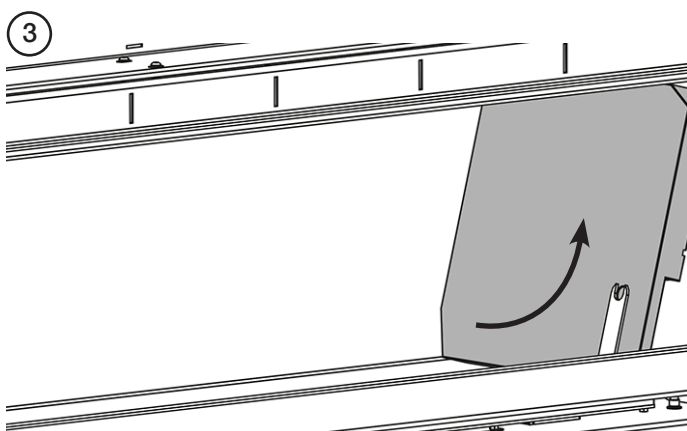
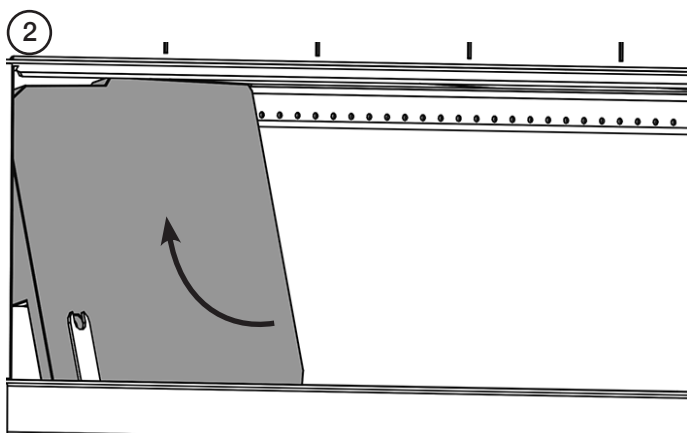


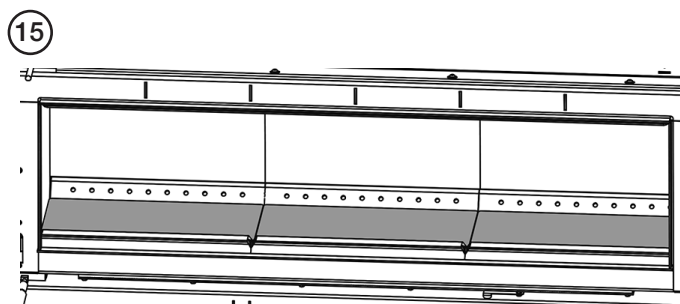
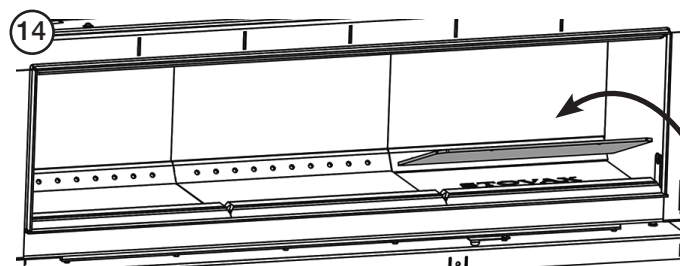
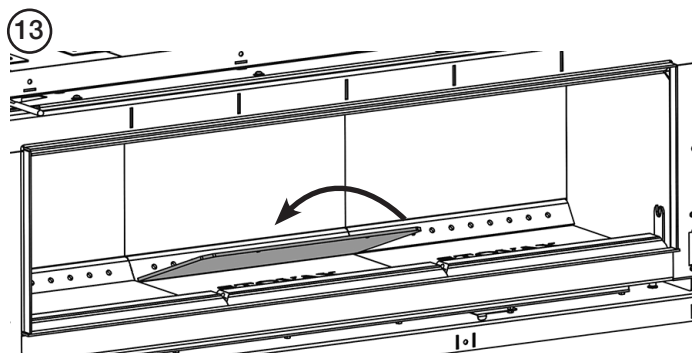
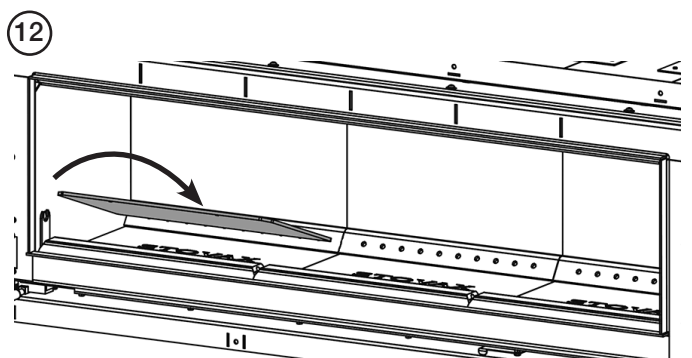
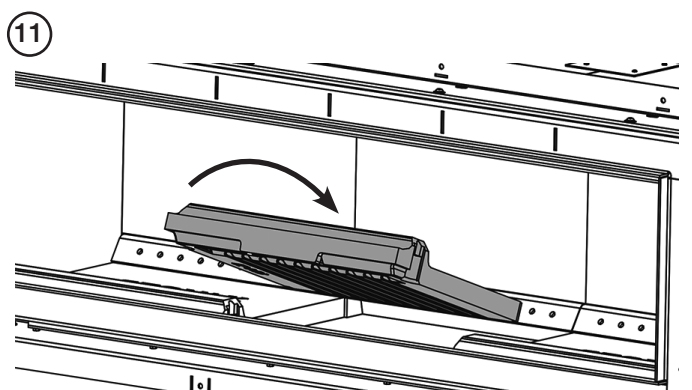
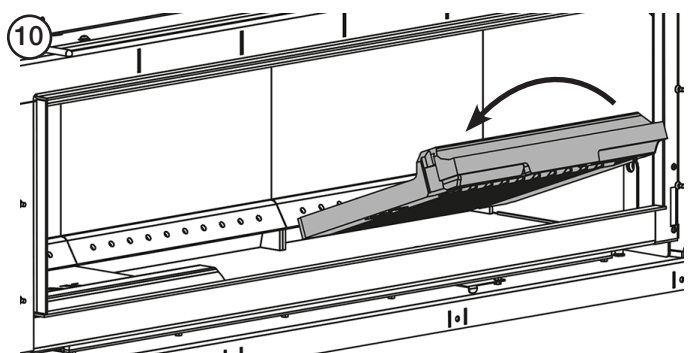
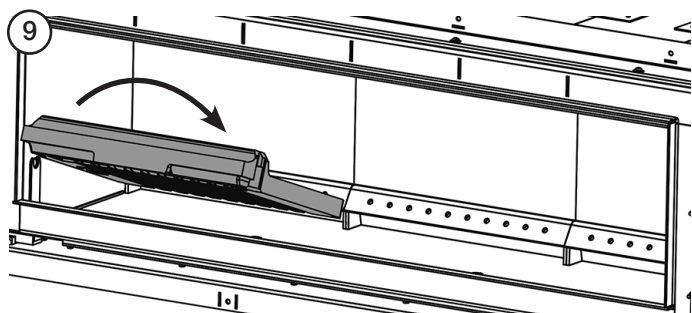
FIREBRICKS/
BRIQUES RÉFRACTAIRES/
MATTONCINI REFRATTARI DELLA
CAMERA DI COMBUSTIONE

STUDIO 3

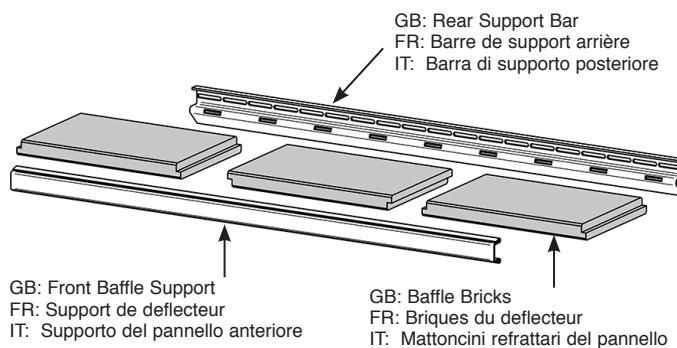


ALL MODELS/ TOUS LES MODÈLES/ TUTTI I MODELLI

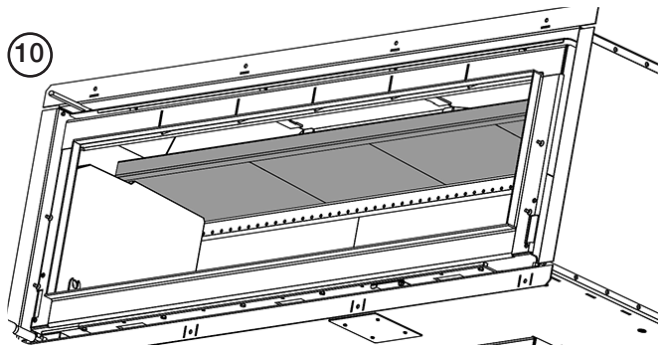
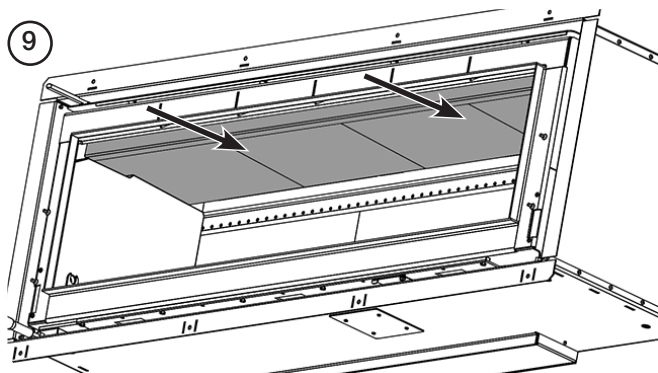
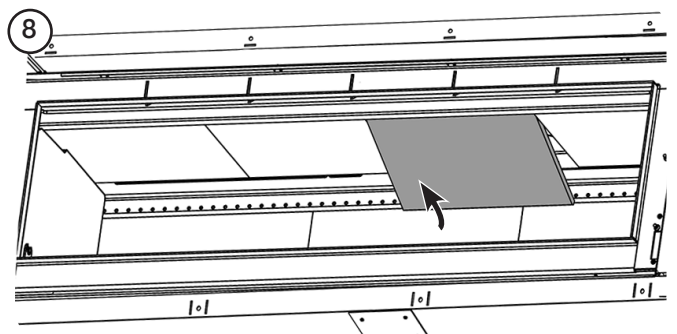
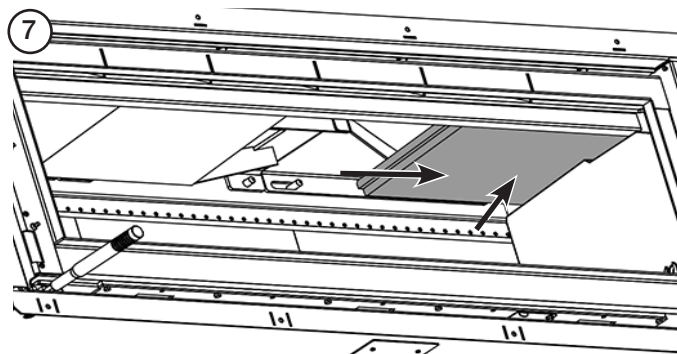
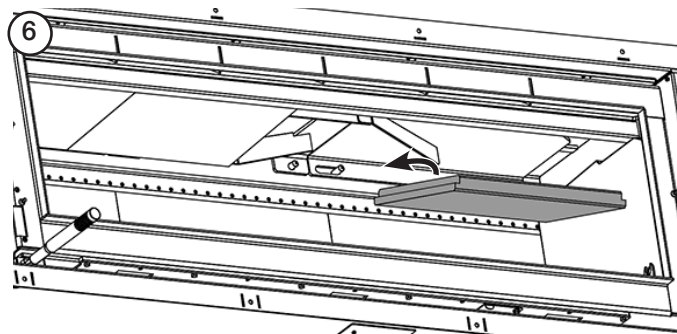
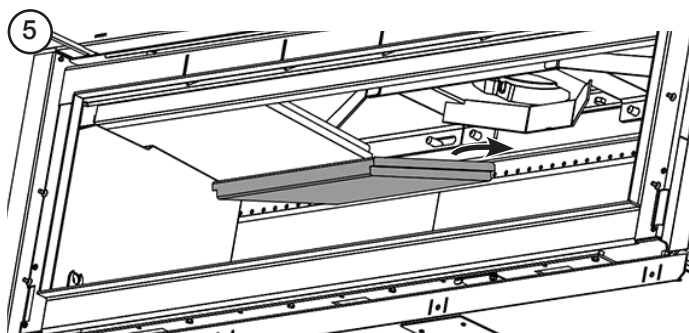
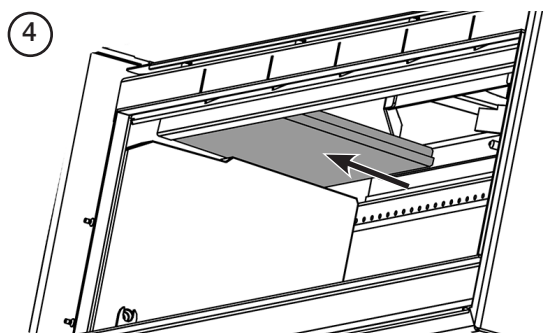
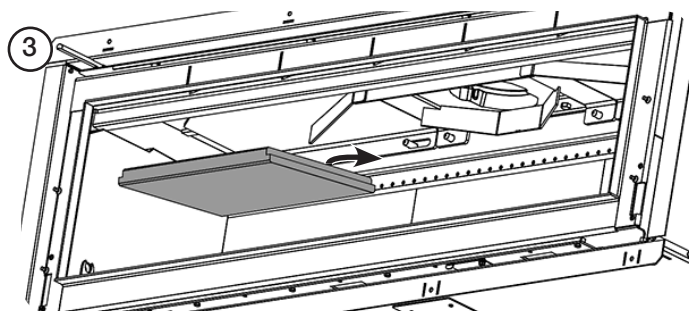
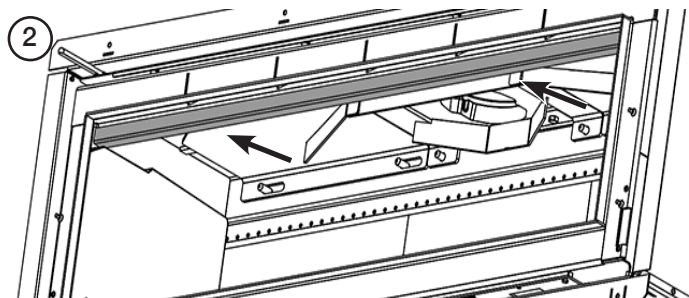
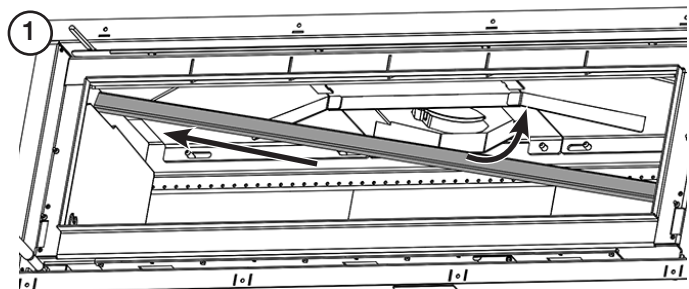




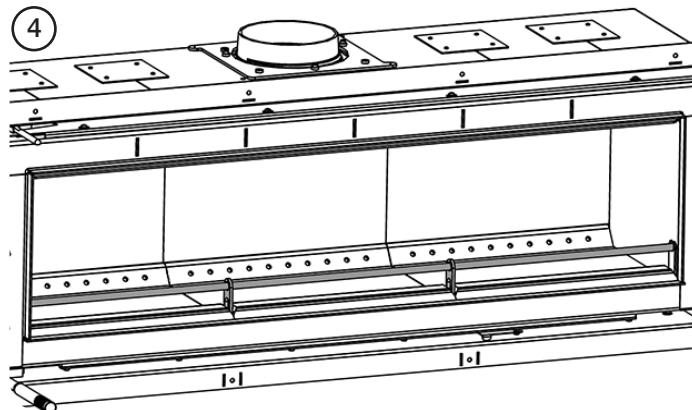
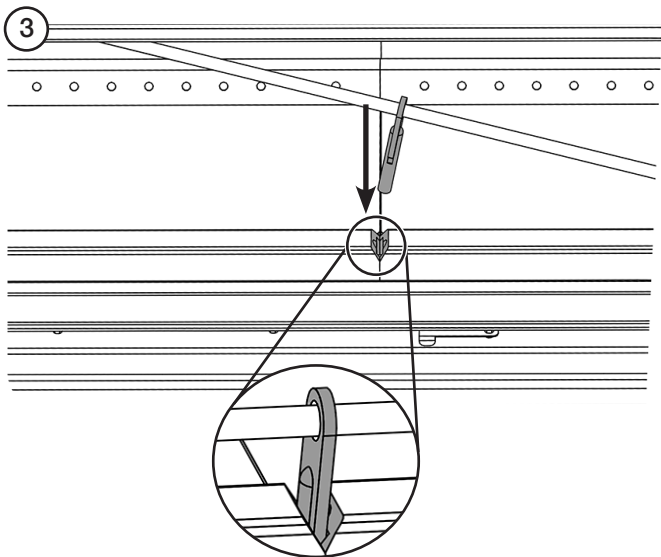
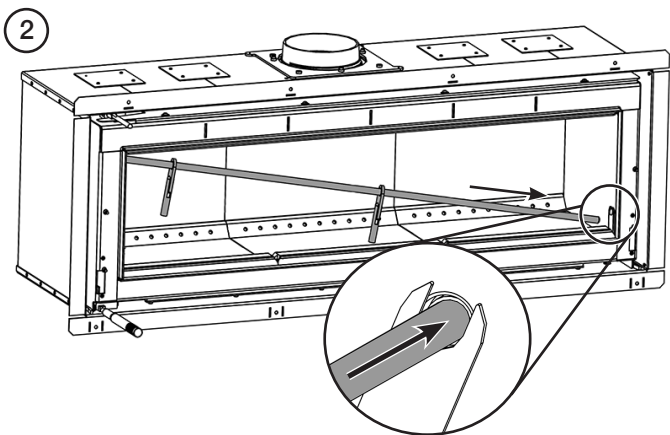
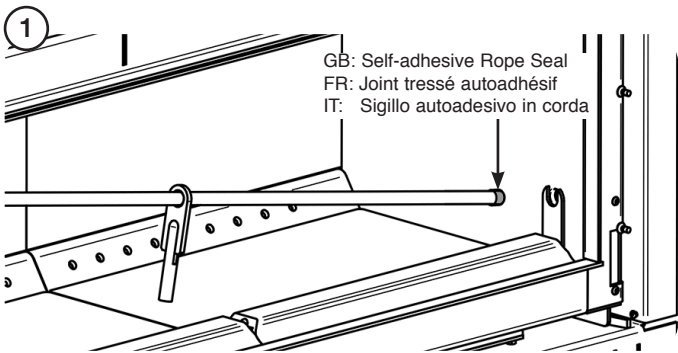
**LOWER Baffle BRICKS/
BRIQUES COUPE-FEU INFÉRIEURES/
MATTONCINI REFRATTARI DEL
PANNELLO INFERIORE**



Studio 1	3
Studio 2	3
Studio 3	4



**LOG GUARDS/ GARDE-BÛCHES/
FERMA-CIOCCHI**



COMMISSIONING

To commission:

- Replace the internal components.
- Check the door alignment and catch operation and adjust if required.
- Check the soundness of door seals, castings and joints.
- Check the operation of the air controls.

Now carry out a final smoke draw test:

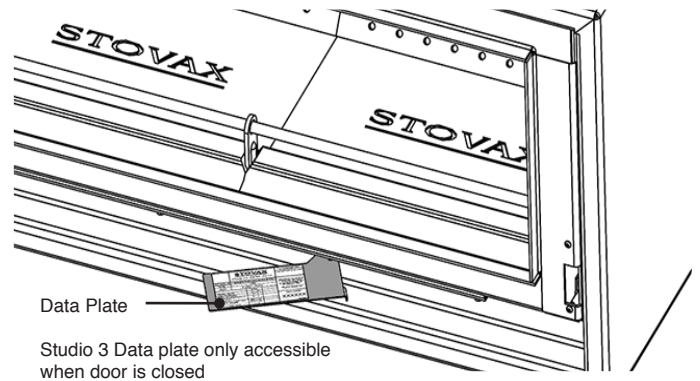
- Warm the flue with a blowlamp, or similar, for about 10 minutes.
- Place a smoke pellet on the centre of the grate, with the air controls open.
- Close the door. Smoke should now be drawn up the flue and be seen to exit from the flue terminal.
- Complete test with all doors and windows closed in the room where the appliance is fitted.
- If there are any extractor fans in adjacent rooms the test must be repeated with the fans running on maximum and with interconnecting doors open.
- Check the effect of ceiling fans during the test.

If excessive spillage occurs allow the appliance to cool and re-check the flue system and ventilation.

Finally:

- Explain to the user the correct operation of the appliance, use of the controls and the importance of only using suitable fuels in order to reduce smoke emissions - particularly if they live in a Smoke Control Area.
- Ensure that a CO alarm has been fitted and make the user aware of its operation and importance, referring them to the Warning section on page 5 of the User Instructions.
- Explain the cleaning and routine maintenance requirements.
- Explain the cleaning and routine maintenance requirements.
- Explain the requirement to use a suitable fireguard when children, elderly or infirm persons are near the appliance.
- Record retailer/supplier and installer details in Appliance Commissioning Checklist.

- Record serial number in Appliance Commissioning Checklist. The serial number is found on the appliance data plate.



This number is required when ordering spare parts and making warranty claims.

Give this instruction manual to the customer for future reference.

MISE EN SERVICE

Pour mettre l'insert en service :

- Remplacer tous les composants internes.
- Vérifier l'alignement de la porte et le bon fonctionnement du loquet, effectuer un réglage le cas échéant (voir Maintenance et service, sections 4 et 5).
- Vérifier l'intégrité des joints de porte, des attaches et des joints.
- Vérifier le bon fonctionnement des commandes d'air.

Effectuer maintenant le dernier essai de tirage :

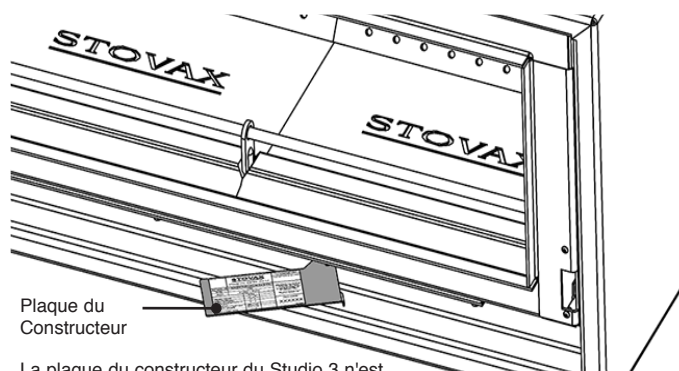
- Préchauffer d'abord le conduit de fumée avec un chalumeau ou un autre instrument pendant environ 10 minutes.
- Placer un fumigène au centre de la grille et ouvrir les commandes d'air en grand.
- Fermer la porte. La fumée doit maintenant être aspirée dans le conduit et on doit la voir sortir par la cheminée.
- Compléter les essais avec toutes les portes et les fenêtres de la pièce où se trouve l'insert bien fermées.
- S'il y a des ventilateurs extracteurs dans les pièces adjacentes, les essais doivent être répétés alors que tous les ventilateurs marchent à la vitesse maximale et que les portes de communications sont ouvertes.
- Vérifier l'effet des ventilateurs de plafond pendant les essais.

En cas d'excès de fumée dans la pièce laisser de l'insert refroidir complètement et inspecter à nouveau le conduit et la ventilation.

Enfin :

- Expliquer le fonctionnement sécurisé du poêle et l'utilisation des commandes d'air à l'utilisateur ainsi que l'importance de n'utiliser que des combustibles appropriés.
- Vérifier que le détecteur-avertisseur de CO a bien été installé et informer l'utilisateur de son fonctionnement et de son importance, en se reportant à la section Avertissement à la page 5 des Instructions d'utilisation.
- Expliquer la routine de nettoyage et de maintenance.
- Expliquer la nécessité d'utiliser un garde-feu pour la sécurité des enfants, des personnes âgées ou handicapées à proximité du poêle.
- Enregistrer les coordonnées du revendeur/ fournisseur et de l'installateur dans la liste des vérifications de la mise en service de l'appareil (page 3, Instructions d'utilisation).
- Enregistrer le numéro de série dans la liste des vérifications de la mise en service de l'appareil

Ce numéro est requis lors de la commande de pièces de rechange ou de déclaration de sinistre aux termes de la garantie.



- Remettre l'exemplaire des Instructions au client.

MESSA A PUNTO

Per la messa a punto:

- Sostituire i componenti interni.
- Controllare l'allineamento dello sportello e il funzionamento del fermo, regolare se necessario, consultare la sezione di Manutenzione E Interventi Di Assistenza 4 & 5.
- Controllare l'integrità delle guarnizioni, dei pezzi di fusione e delle giunture.
- Controllare il funzionamento dei comandi dell'aria.

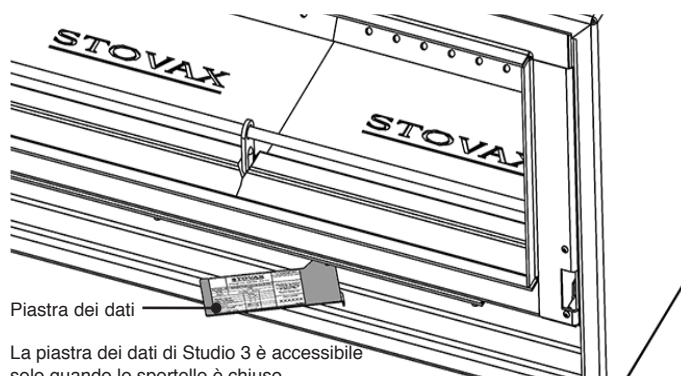
Ora eseguire il test finale di tiraggio del fumo:

- Per prima cosa, riscaldare la canna fumaria con la fiamma ossidrica o simile per circa 10 minuti.
- Posizionare un pellet al centro dei mattoni di base, con i comandi dell'aria aperti.
- Chiudere lo sportello.
Adesso il fumo dovrebbe essere aspirato nella canna fumaria e lo si dovrebbe vedere uscire dal comignolo.
- Completare il test con tutte le porte e le finestre chiuse nell'ambiente in cui si trova l'apparecchio.
- Se nei vani adiacenti esistono ventole di estrazione, il test deve essere ripetuto con le ventole operanti al massimo e con le porte di collegamento aperte.
- Controllare l'effetto dei ventilatori a soffitto durante il test.

Se si verificano perdite eccessive permettere all'apparecchio di raffreddarsi e ricontrollare il sistema della canna fumaria e la ventilazione.

Infine::

- Spiegare all'utente il funzionamento sicuro dell'apparecchio, l'utilizzo dei comandi e l'importanza di utilizzare solamente i combustibili adatti.
- Verificare l'installazione dell'allarme di monossido di carbonio e spiegarne all'utente l'importanza e il funzionamento facendo riferimento alla sezione Attenzione a pagina 5 delle Istruzioni dell'utente.
- Spiegare le necessità di pulizia e manutenzione di routine.
- Spiegare la necessità di utilizzare un parafuoco adatto quando bambini, anziani o invalidi sono vicini all'apparecchio.
- Registrare le informazioni sul rivenditore/fornitore e sull'installatore nelle istruzioni.
- Registrare il numero di serie alla pagina 3 delle istruzioni



Questo numero è necessario per l'ordinazione delle parti di ricambio e per le richieste di intervento in garanzia.

- Consegnare una copia delle istruzioni al cliente.

SERVICING

For a complete list of spare parts and accessories contact your Stovax Retailer or visit www.stovaxspares.co.uk

Before the start of the heating season strip, inspect and clean the appliance as detailed:

- Allow appliance to cool.
- Remove all internal parts: baffle, log guard and firebricks
Take care handling firebricks as they can become fragile after a period of use.
- Sweep the appliance at this point if necessary.
- Vacuum clean any remaining ash and debris from the inside of the appliance. Stovax offer a filter/collection attachment for vacuum cleaners to protect them from fire ash: Ash Clean (Stovax Part No. 2091).
- Check the parts for any damage. Replace any damaged parts using genuine Stovax replacements parts.
- Check and clean the firebricks with a soft brush.
Some surface damage will occur during use. The life of the bricks will depend on the type of fuels burnt and the level of use.
Replace damaged bricks as soon as possible.
- Re-fit cleaned internal parts.
- **Use Stovax Glass Cleaner (Stovax No.4103) which is better formulated for this application. ?**
Do not use abrasive cleaners to remove tar or soot deposits from the glass.
- Fit new door rope seal.
- Lightly oil the door catch mechanism and hinge pins. Avoid getting oil onto the door seals and glass.
- To refresh painted finishes a touch up spray is available.
Contact your Stovax retailer quoting the serial number found on the appliance data badge.

Use genuine Stovax replacement parts to keep the appliance in safe, efficient working order. This is a list of the maintenance products that may need be required:

These products are available online at www.stovax.com or from your local Stovax dealer which, along with regular maintenance and use of correct fuels, will keep the appliance in the best possible condition.

For more information about the Stovax Group products please visit our web site at www.stovax.com

Burn at a low temperature for the first day of use after any maintenance. This allows the seals, fixing glues and paint to fully cure.

During this time the appliance may give off some unpleasant odours. Keep the room well ventilated to avoid a build-up of fumes.

Your Stovax dealer can carry out service and maintenance.



IMPORTANT: Stovax provide gauntlet style gloves for the users protection from heat and any sharp edges when using the appliance. For your safety ensure that gloves are always worn when opening, operating, refuelling or handling internal metalwork.

TASK	PRODUCT NAME	NO.
Preventing build-up of creosote in flue	Protector (15 sachets)	7002
	Protector (1kg tub)	7025
Sealing flue pipe joints	Fire Cement (500g tub)	2024
	Fire Cement (600g cartridge)	2021
Re-painting	Touch Up Paint (150ml aerosol)	2056
Protecting your hands	Heat resistant leather gloves	4008 4027 - Long
Thermic seal glue	(50ml bottle)	5037
Cleaning Glass	Stovax Glass Cleaner	4103
Ash Clean	Vacuum Cleaner Attachment	2091M
Door Maintenance (Studio 3 only)	Anti-Seize Grease	FA500034

ENTRETIEN

Pour obtenir une liste complète des pièces de rechange et des accessoires, contacter votre distributeur Stovax.

Avant le début de la saison de chauffage, démonter, inspecter et nettoyer l'appareil comme suit :

- Laisser l'appareil refroidir.
- Enlever tous les éléments internes : déflecteur, garde-bûches et briques réfractaires.
Faire attention lors de la manutention des briques car elles deviennent fragiles après une certaine période d'utilisation.
- Ramoner l'appareil à ce point le cas échéant.
- Utiliser un aspirateur pour enlever les cendres restantes et les débris de l'intérieur du poêle. Stovax propose un accessoire avec filtre pour enlever les cendres tout en protégeant l'aspirateur des braises éventuelles. (N° de pièce Stovax 2091).
- Vérifier que les éléments ne sont pas endommagés. Remplacer les éléments endommagés par des pièces de remplacement d'origine Stovax.
- Inspecter et nettoyer les briques réfractaires avec une brosse souple.
La surface peut être endommagée en cours d'utilisation. La durée de vie des briques dépend du type de combustible utilisé et de l'intensité d'utilisation.
Remplacer les briques endommagées dès que possible.
- Remettre les pièces internes nettoyées en place.
- **Utiliser le nettoyant vitres Stovax (Stovax n° 4103). Sa formule est mieux adaptée à cette opération.**
Ne pas utiliser de nettoyants abrasifs pour retirer les dépôts de goudron ou de suie de la vitre.
- Installer de nouveaux joints si besoin.
- Huiler légèrement le mécanisme du loquet de la porte et les gonds des charnières. Éviter de laisser tomber de l'huile sur les joints de porte et la vitre.
- Pour faire des retouches de peinture, une peinture pour retouches en aérosol est disponible.
Contactez votre détaillant Stovax en mentionnant le numéro de série qui se trouve sur la fiche signalétique de l'appareil.

Utiliser des pièces de rechange Stovax authentiques pour garantir le bon rendement du poêle en toute sécurité.
Voici une liste des produits de maintenance dont vous pouvez avoir besoin.

Les produits de nettoyage et d'entretien de votre Studio Air sont disponibles en ligne sur www.stovax.fr ou auprès de votre détaillant Stovax et, outre l'entretien régulier et l'usage des bons combustibles, garderont l'appareil dans la meilleure condition possible.

Pour de plus amples informations sur les produits du groupe Stovax, consulter notre site Internet <http://www.stovax.fr>.

Faire fonctionner l'appareil à basse température pour le premier jour d'utilisation après toute maintenance. Ceci permet aux joints, aux adhésifs et à la peinture de bien sécher.

Pendant cette période, la surface de l'appareil émet des odeurs déplaisantes. S'assurer que la pièce est bien ventilée pour éviter l'accumulation de vapeurs.

Le distributeur Stovax peut effectuer les révisions et la maintenance.

i **IMPORTANT:**
Stovax fourni des gants avec manchette pour que l'utilisateur soit protégé de la chaleur et des côtés saillants de l'appareil.
Pour votre sécurité assurez-vous de toujours utiliser les gants lors de l'ouverture, l'utilisation, le rechargement ou la manipulation des composants de l'appareil.

TÂCHE	CODE PRODUIT	NO.
Prévention de l'accumulation de créosote dans le conduit	Protecteur (15 sachets)	7002
	Protecteur (Tube 1 kg)	7025
Scellement des joints de conduit	Ciment réfractaire (Tube 500 g)	2024
	Ciment réfractaire (Cartouche 600g)	2021
Retouches de peinture	Retouchez aérosol (150ml aérosol)	2056
Protection des mains	Gant en cuir résistant à la chaleur	4008 4027 - Long
Adhésif de joint thermique	(50ml bottle)	5037
Nettoyage De La Vitre	Stovax nettoyeur de vitre	4103
Accessoire d'aspirateur	Accessoire d'aspirateur	2091M
Maintenance de la porte (Studio 3 uniquement)	Graisse antigrippante	FA500034

MANUTENZIONE E INTERVENTI DI ASSISTENZA

Per l'elenco completo delle parti di ricambio e degli accessori contattare il proprio rivenditore Stovax o visitare: www.stovaxspares.co.uk.

Prima dell'inizio della stagione fredda, ispezionare e pulire l'apparecchio come segue:

- Far raffreddare l'apparecchio.
- Rimuovere tutte le seguenti parti interne; deflettori e mattoni refrattari
Maneggiare con cura i mattoni refrattari, in quanto possono diventare fragili con l'uso.
- Se necessario, a questo punto spazzare l'apparecchio.
- Rimuovere con l'aspirapolvere le ceneri e i detriti rimanenti dall'interno dell'apparecchio.
Stovax offre un filtro/accessorio di raccolta per l'aspirapolvere, per proteggerlo dalle ceneri calde.
- Controllare che i componenti non siano danneggiati. Sostituire i componenti danneggiati utilizzando ricambi originali Stovax.
- Controllare e pulire i mattoni refrattari con una spazzola morbida.
L'utilizzo può comportare danni alle superfici. La durata dei mattoni dipende dal tipo di combustibile bruciato e dal livello di utilizzo.
I mattoni danneggiati devono essere sostituiti quanto prima possibile.
- Reinserire le parti interne ripulite.
- **Utilizzare Stovax Glass Cleaner (Stovax N. 4103) la cui formulazione è ideale per questa applicazione.**
Non utilizzare detergenti abrasivi per rimuovere il catrame o i depositi di fuliggine dal vetro.
- Installare una nuova guarnizione dello sportello.
- Oliare leggermente il meccanismo della presa dello sportello e i perni dei cardini. Evitare che l'olio entri nelle guarnizioni e sul vetro dello sportello.
- Per aggiornare dipinto finisce un ritocco spray è disponibile.
Contattate il vostro rivenditore Stovax citando il numero di serie riportato sul distintivo dati dell'apparecchio.

Utilizzare le parti di ricambio Stovax originali per mantenere l'apparecchio in uno stato di funzionamento sicuro ed efficiente. Questo è un elenco dei prodotti di manutenzione che potrebbe essere necessario utilizzare:

I prodotti utili per la pulizia e la manutenzione di Studio Air sono disponibili online sul sito www.stovax.com o presso il proprio rivenditore Stovax locale. Insieme a una manutenzione regolare e all'uso di combustibili corretti, questi prodotti manterranno l'apparecchio nelle migliori condizioni possibili.

Per ulteriori informazioni sui prodotti del gruppo Stovax, visitare il nostro sito Web all'indirizzo www.stovax.com

Primo utilizzo dell'apparecchiatura bruciare a bassa potenza durante il primo giorno di utilizzo. Questo permette alle guarnizioni, alle colle di fissaggio e alla vernice di indurirsi completamente.

Durante questo periodo potrebbe emettere cattivi odori. Aerare bene l'ambiente per evitare che i fumi si accumulino.

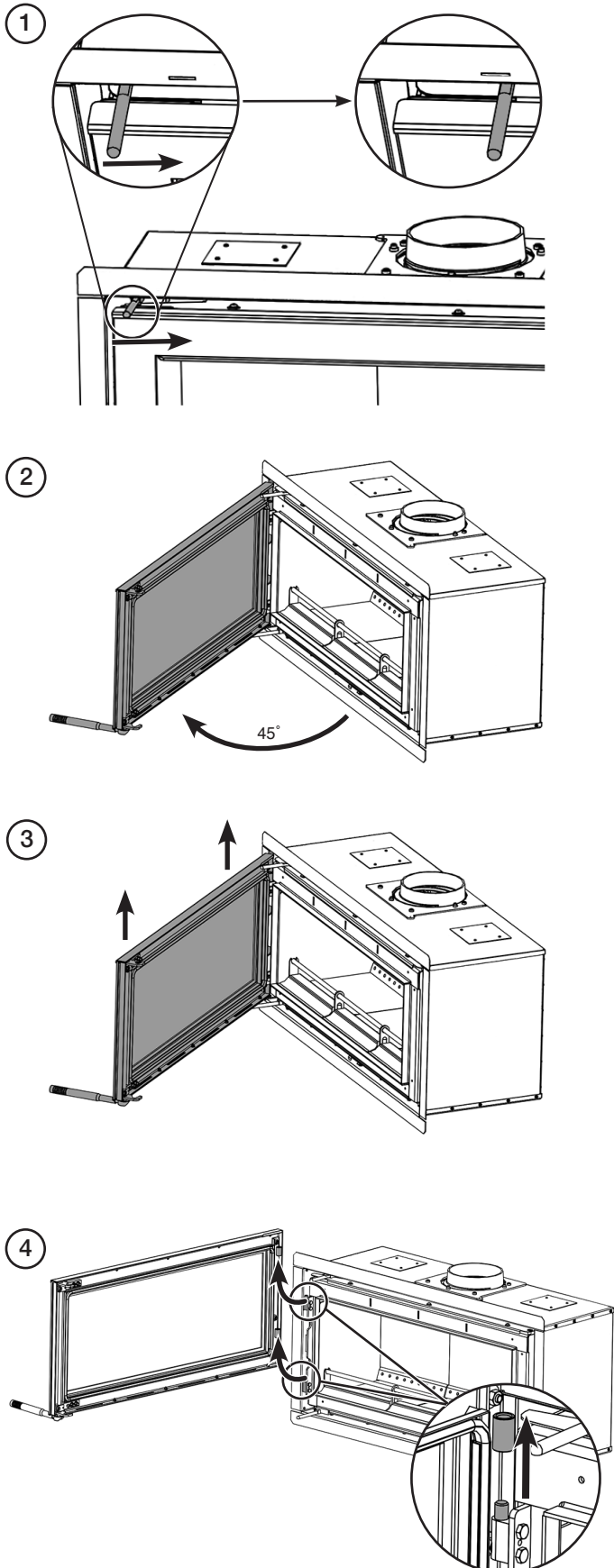
Il rivenditore Stovax può eseguire interventi di assistenza e manutenzione.

i **IMPORTANTE: Stovax fornisce dei guanti speciali per proteggere gli utilizzatori da calore e bordi taglienti quando si utilizza l'apparecchio. Per ragioni di sicurezza è bene indossare sempre i guanti quando si aprono, azionano, alimentano o manipolano parti metalliche.**

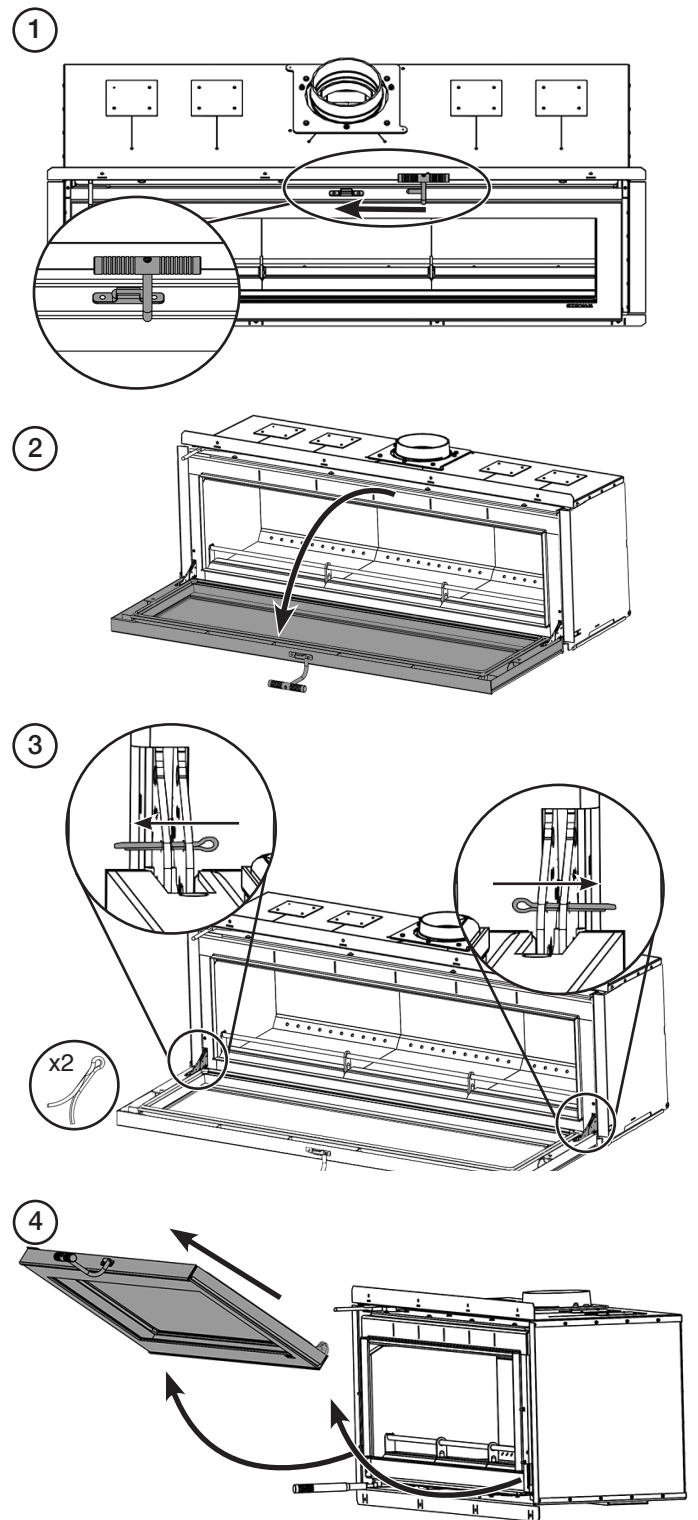
ATTIVITÀ	NOME PRODOTTO	NO.
Prevenzione dell'accumulo di creosoto nella canna fumaria	Protezione (15 bustine)	7002
	Protezione (vaschetta da 1 kg)	7025
Impermeabilizzazione delle giunture della canna fumaria	Cemento refrattario (vaschetta da 500 g)	2024
	Cemento refrattario (cartuccia da 600 g)	2021
Riverniciatura	Vernice per ritocco (aerosol da 150 ml)	2056
Protezione delle mani	Guanti in pelle resistenti al calore	4008 4027 - Lungo
Colla termosaldante	(bottiglia da 50 ml)	5037
Pulizia del vetro	Stovax Vetro Pulito	4103
Cenere Pulita	Accessorio per l'aspirapolvere	2091M
Manutenzione dello sportello (solo per Studio3)	Grasso antigrippaggio	FA500034

REMOVING THE DOOR/ DÉMONTAGE DE LA PORTE/ RIMOZIONE DELLO SPORTELLO

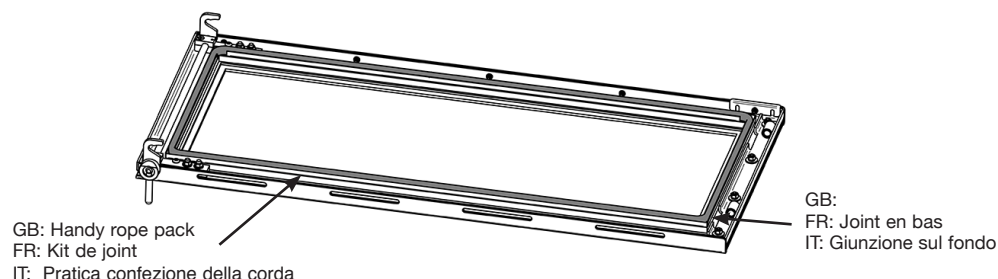
STUDIO 1 & 2



STUDIO 3

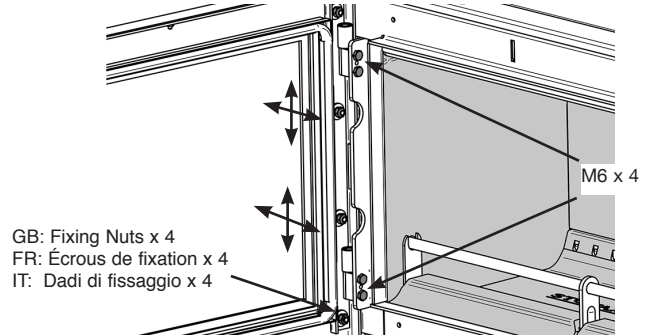
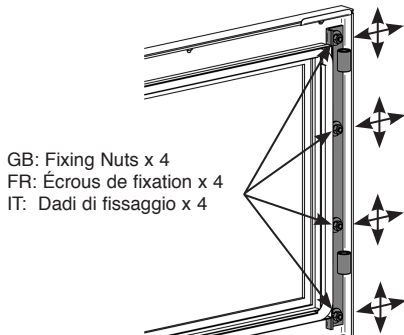


FITTING A NEW DOOR SEAL REEMPLACEMENT DU JOINT DE PORTE/ INSTALLAZIONE DI UNA NUOVA GUARNIZIONE DELLO SPORTELLO



- GB:** To maintain the safe use of your appliance you need to replace damaged or worn door sealing rope. To complete this operation remove the door before starting.
Remove the old rope and scrape old glue from the locating groove. Clean the locating groove with a clean dry cloth to remove all old dust and debris.
Squeeze a generous bead of fresh Stovax Thermic Seal glue into the rope locating groove.
Press the new Stovax rope into the locating groove, placing the joint in the middle of the bottom edge of the door using tape supplied for the ends.
Refit the door and close the door to apply pressure to the new rope.
Leave the appliance closed for at least 12 hours before lighting the appliance and using at a low output for approximately one day.
Using the appliance with a damaged door seal can cause dangerous fumes to enter the room, or the appliance to over fire, resulting in damage.
- FR:** Pour s'assurer du fonctionnement continu du poêle en toute sécurité, il faut remplacer les joints de porte endommagés ou usés. Pour terminer cette opération, retirez la porte. Voir Section 2 Retrait de la porte de la section concernant la pré-installation.
Retirer le joint et raclez la colle pour la retirer de la goulotte. Nettoyer la goulotte à l'aide d'un chiffon propre et sec pour retirer la poussière et les débris.
Étaler un bourrelet généreux de colle de joint thermique Stovax dans la goulotte.
Enfoncer le nouveau joint Stovax dans la goulotte, en plaçant le joint au milieu du bord supérieur de la porte. Utiliser le ruban adhésif fourni aux extrémités.
Remettre la porte en place et la fermer pour appliquer une pression sur le nouveau joint.
Laisser la porte fermée pendant au moins 12 h avant d'allumer le poêle et de le laisser brûler à une puissance modérée pendant environ une journée.
L'utilisation de l'insert alors que le joint de porte est endommagé peut laisser des gaz de combustion dangereux se répandre dans la pièce ou causer une combustion excessive et des dommages dus à la surchauffe de l'insert.
- IT:** Per mantenere l'utilizzo sicuro dell'apparecchio, è possibile dover sostituire un cavo di chiusura dello sportello danneggiato o consumato. Per completare questa operazione, rimuovere lo sportello.
Rimuovere il vecchio cavo e grattare la colla vecchia dalla scanalatura di posizionamento. Pulire la scanalatura di posizionamento con un panno asciutto pulito per rimuovere tutta la polvere vecchia e i detriti.
Spremere una noce abbondante di colla Stovax Thermic Seal fresca nella scanalatura di posizionamento del cavo.
Premere il nuovo cavo Stovax nella scanalatura di posizionamento, collocando la giuntura a metà del bordo superiore dello sportello utilizzando l'adesivo fornito per le estremità.
Reinserire lo sportello e chiuderlo per applicare pressione sul nuovo cavo:
Lasciare l'apparecchio chiuso per almeno 12 ore prima di accendere l'apparecchio e utilizzare a bassa potenza per circa un giorno.
L'utilizzo dell'apparecchio con una guarnizione dello sportello danneggiata può causare la fuoriuscita di esalazioni pericolose nella camera, oppure portare ad un surriscaldamento dell'apparecchio, con conseguenti danni.

ADJUSTING DOOR HINGES/ RÉGLAGE DES CHARNIÈRES DE PORTE/ REGOLAZIONE DEI CARDINI DELLO SPORTELLINO - STUDIO 1 & 2



GB: To maintain the safe use of your appliance, you may need to adjust the door hinges to ensure the safe, correct closing of the door. The door must be horizontal/level with the top of the inner box and the door catch engages correctly.

Adjustment is possible in 2 places:

Door Hinge Assembly

Hinge Blocks on Inner Box

Open the door to give access to these 2 positions.

Door Hinge Assembly

Use a 10mm socket to slightly loosen the fixing nuts on the Door Hinge Assembly.

Loosening the Door Hinge Assembly allows for fine vertical and horizontal adjustment of the door position. This may require a trial and error approach to find the correct position.

Ensure the door is horizontal before tightening the fixing nuts.

Hinge Blocks on Inner Box

Using a 10mm A/F spanner slightly loosen the fixing nuts inside the stove as shown.

This will give vertical and horizontal adjustment which may need a trial and error approach to find the correct position.

The door must be horizontally level.

FR: Afin de maintenir une utilisation sécurisée de votre appareil, il se peut que vous ayez à régler les charnières de la porte de manière à assurer la fermeture correcte et sécurisée de la porte. La porte doit être horizontale / de niveau avec le haut du corps de chauffe et le loquet de la porte engagé correctement.

Il est possible de régler la position de la porte à 2 endroits différents :

Ensemble de la charnière de la porte

Blocs de charnières sur le boîtier interne

Ouvrir la porte pour accéder à ces 2 points.

Ensemble de la charnière de la porte

Utiliser une douille de 10 mm pour desserrer légèrement les écrous de fixation de l'ensemble de la charnière de la porte.

Le fait de desserrer l'ensemble de la charnière de la porte permet d'ajuster la position horizontale et verticale de la porte. Il est parfois nécessaire d'effectuer cette démarche plusieurs fois pour arriver à la bonne position.

S'assurer que la porte soit horizontale avant de serrer les écrous de fixation.

Blocs de charnières sur le boîtier interne

À l'aide d'une clé A/F de 10 mm A/F, desserrer légèrement les écrous de fixation à l'intérieur du poêle, comme indiqué sur le schéma 3.

Ceci permet d'ajuster la position à l'horizontale comme à la verticale et il est parfois nécessaire d'effectuer cette démarche plusieurs fois pour arriver à la bonne position.

La porte doit être à niveau à l'horizontale.

IT: Per conservare l'utilizzo sicuro dell'apparecchio, può essere necessario regolare i cardini dello sportello per garantire la chiusura corretta e sicura dello sportello. Lo sportello deve essere orizzontale/allineato con la parte superiore della confezione interna e il fermo dello sportello si deve inserire correttamente.

È possibile effettuare regolazioni in 2 punti:

Sistema di cardini dello sportello

Blocchi dei cardini nella confezione interna

Aprire lo sportello per accedere a queste 2 posizioni.

Sistema di cardini dello sportello

Utilizzando una brugola da 10 mm allentare leggermente i dadi di fissaggio sul sistema di cardini dello sportello, vedere la Diagramma 2. Ciò assicurerà una regolazione verticale e orizzontale della posizione dello sportello, il che potrebbe richiedere un approccio a tentativi per trovare la posizione corretta.

Lo sportello deve essere allineato orizzontalmente prima di poter serrare i dadi di fissaggio.

Blocco cardini sulla confezione interna

Utilizzando una chiave da 10 mm A/F allentare leggermente i dadi di fissaggio nella stufa, vedere la Diagramma 3.

Ciò assicurerà una regolazione verticale e orizzontale e potrà richiedere un approccio a tentativi per trovare la posizione corretta.

Lo sportello deve essere in piano.

LUBRICATING DOOR HINGES/ LUBRIFICATION DES CHARNIÈRES DE PORTES/ LUBRIFICAZIONE DELLE CERNIERE DELLO SPORTELLINO - STUDIO 3

GB: If the operation of the door becomes stiff or fails to close properly it may be necessary to apply grease to the door hinge.

Complete lubrication of the hinges as follows:

- Open the door fully.
- Use a small paint brush to add a small amount of high temperature anti-seize grease (Stovax part number - RVS-MEC10275) to points 'A' and 'B'.

Open and close the door a few times to work the grease into the hinge to return it to smooth operation.

FR: Si la porte devient difficile à ouvrir ou ne se ferme pas correctement, il peut s'avérer nécessaire d'appliquer de la graisse sur la charnière de la porte.

Procéder à la lubrification des charnières comme suit:

- Ouvrir la porte complètement.
- Utiliser un petit pinceau pour ajouter une faible quantité de graisse anti-grippante adaptée aux températures élevées (Pièce Stovax n° RVS-MEC10275) sur les points 'A' et 'B'.

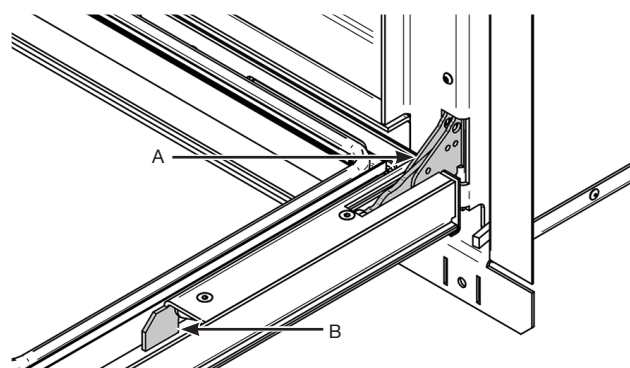
Ouvrir et fermer la porte plusieurs fois afin de faire pénétrer la graisse dans la charnière et résoudre tout problème de fonctionnement.

IT: Se lo sportello si irrigidisce o si chiude male potrebbe essere necessario applicare del lubrificante alla cerniera dello sportello.

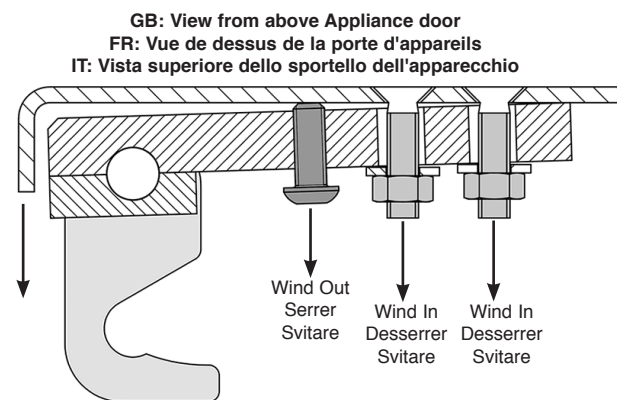
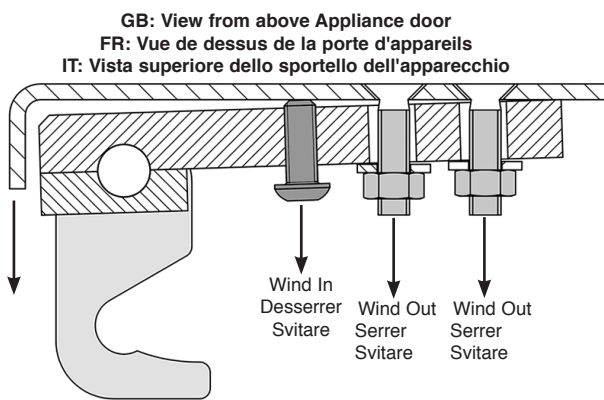
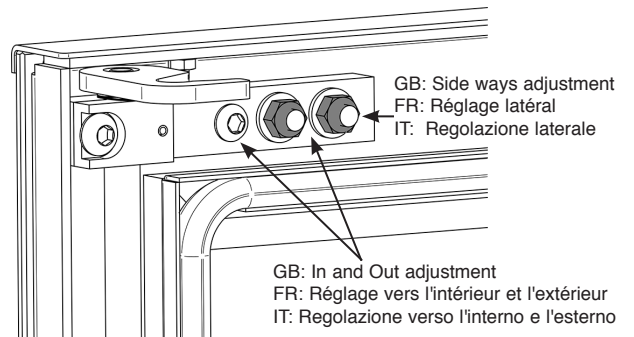
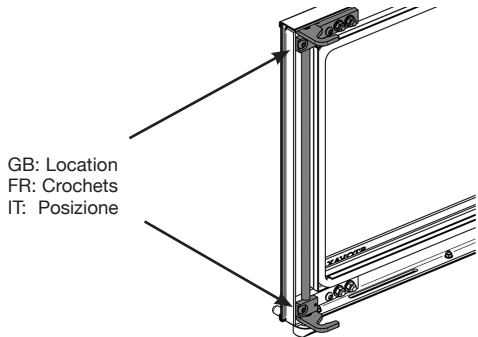
Effettuare la lubrificazione delle cerniere come segue:

- Aprire completamente lo sportello.
- Utilizzare un pennello piccolo per applicare una piccola quantità di lubrificante antigrippaggio resistente ad alte temperature (numero parte Stovax: RVS-MEC10275) ai punti 'A' e 'B'.

Aprire e chiudere lo sportello diverse volte per far penetrare il lubrificante dentro le cerniere e riportare lo sportello al funzionamento corretto.



ADJUSTING THE DOOR CATCH / RÉGLAGE DU LOQUET DE LA PORTE REGOLAZIONE DEI PRESA DELLO SPORTELLINO - STUDIO 1 & 2



GB: To maintain the safe use of your appliance you may need to adjust the door catch to ensure the safe, correct closing of the door. If the door hinges have been adjusted the door catch may need adjustment.

The catches are located at the top and the bottom of the right side of the door.

The top and bottom catches will need to be adjusted separately and in the same manner.

The catch block can move in two directions, .

Sideways Adjustment

Using a 10mm A/F Spanner loosen the 2 nuts that hold the catch block to the door.

Do not remove the nuts completely.

This will allow some movement left or right to suit.

Tighten the nuts and recheck the catch operation.

In and Out Adjustment

Loosening or tightening the M6 screw and the nuts on the catch block will cause the catch to move in or out from the door and allow the hook to gain better purchase on the door rollers.

Do not remove screw or nuts completely.

To move Door Catch in:

Loosen Nuts 1 & 2.

Wind screw IN until the Door Catch is in desired position.

Tighten Nuts 1 & 2 down to Catch Block.

To move Door Catch out:

Loosen Nuts 1 & 2.

Wind screw OUT until the Door Catch is in desired position.

Tighten Nuts 1 & 2 down to Catch Block.

FR: Pour maintenir une utilisation sécurisée de votre appareil, il se peut que vous ayez à régler le loquet de la porte de manière à obtenir une bonne fermeture de la porte. Si les charnières de la porte ont été réglées, le loquet de la porte demande à être ajusté.

Les loquets sont situés sur le haut et le bas de la porte, côté droit.

Les loquets du haut et du bas devront être réglés séparément et de la même façon.

Le bloc du loquet peut bouger dans deux directions.

Réglage latéral

À l'aide d'une clé A/F de 10 mm, desserrer les 2 écrous attachant le bloc du loquet sur la porte.

Ne pas retirer les écrous complètement.

Ceci permet d'ajuster la position vers la gauche ou vers la droite en fonction des besoins.

Serrer les écrous et vérifier à nouveau que le loquet fonctionne correctement.

Réglage vers l'intérieur et l'extérieur

Le serrage ou desserrage de la vis M6 et des écrous sur le bloc du loquet déplace le loquet vers l'intérieur ou l'extérieur à partir de la porte et permet au crochet de mieux agripper les rouleaux de la porte.

Ne pas retirer la vis ou les écrous complètement.

IT: Per conservare l'utilizzo sicuro dell'apparecchio, può essere necessario regolare la presa dello sportello per garantire la chiusura corretta e sicura dello sportello. Se i cardini dello sportello sono stati regolati, la presa dello sportello può necessitare di regolazione.

Le prese sono situate nella parte superiore e inferiore del lato destro dello sportello.

Le prese superiore e inferiore vanno regolate separatamente ma allo stesso modo.

Il fermo-presa può essere spostato in due direzioni.

Regolazione laterale

Utilizzando una chiave da 10mm A/F, allentare i due dadi di fissaggio del fermo-presa allo sportello.

Non rimuoverli completamente.

In questo modo è possibile muovere lo sportello a sinistra o a destra in base alla necessità.

Serrare i dadi e ricontrollare il funzionamento della presa.

Regolazione verso l'interno e l'esterno

Allentando o serrando la vite M6 e i dadi sul fermo-presa, è possibile muovere la presa verso l'interno o l'esterno dello sportello, consentendo un miglior appiglio del gancio sui rulli dello sportello.

Non rimuovere completamente la vite o i dadi.

Per spostare la presa verso l'interno:

Allentare i dadi 1 e 2.

Serrare la vite fino a che la presa dello sportello non arriva nella posizione desiderata.

Serrare i dadi 1 e 2 nel fermo-presa.

Per spostare la presa dello sportello in avanti:

Allentare i dadi 1 e 2.

Svitare la vite fino a che la presa dello sportello non arriva nella posizione desiderata.

Serrare i dadi 1 e 2 nel fermo-presa.

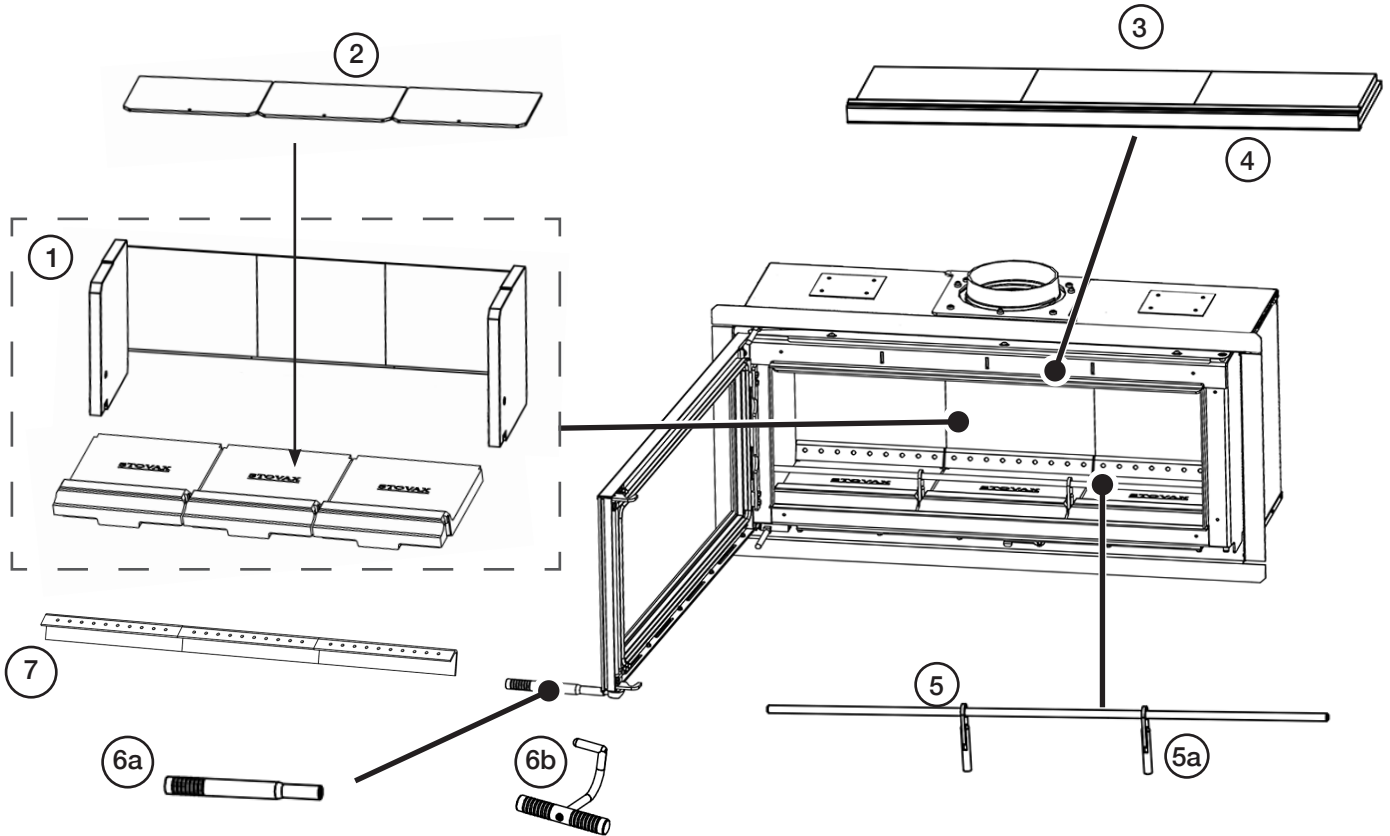
DO A PAPER TEST / EFFECTUER UN TEST PAPIER/ ESEGUIRE UN TEST DELLA CARTA

GB: To do a paper test shut a piece of paper in the door at the edges to test how well the rope seal stops the air from entering the appliance. If the paper can be pulled out easily then the seal is not sufficient and the rope must be replaced. Repeat this around all the edges of the appliance.

FR: Pour effectuer un test papier, coincer une feuille de papier dans la porte au niveau des cotés de manière à vérifier que le cordon d'étanchéité empêche bien l'air d'entrer dans l'appareil. Si le papier peut être tiré facilement, l'étanchéité est alors insuffisante et le cordon doit être remplacé. Répéter cette opération sur tous les cotés de l'appareil.

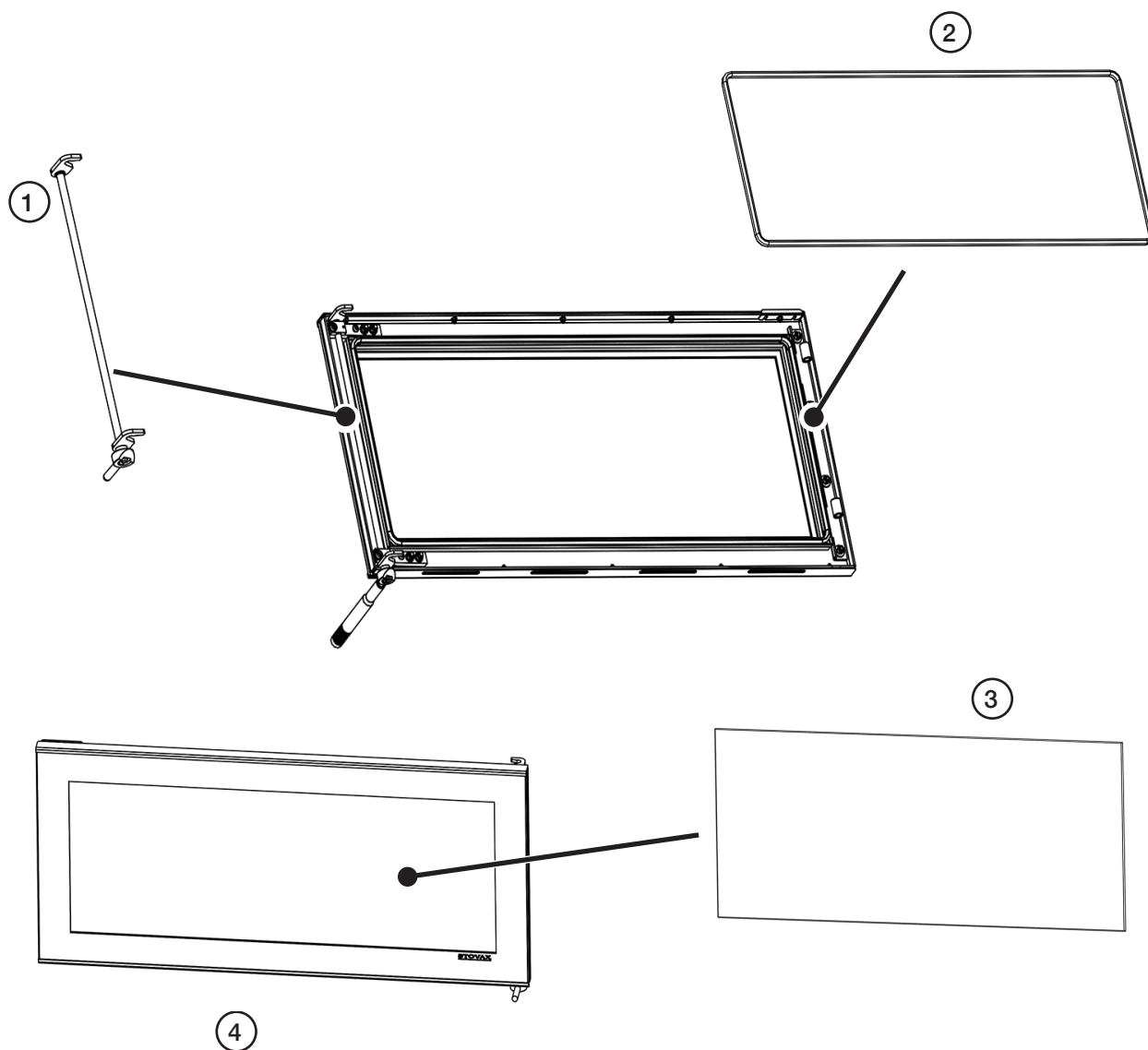
IT: Pour effectuer un test papier, coincer une feuille de papier dans la porte au niveau des cotés de manière à vérifier que le cordon d'étanchéité empêche bien l'air d'entrer dans l'appareil. Si le papier peut être tiré facilement, l'étanchéité est alors insuffisante et le cordon doit être remplacé. Répéter cette opération sur tous les cotés de l'appareil.

SPARE PARTS/ LISTE DES PIÈCES SAV RECHANGE/ ELENCO DELLE PARTI DI RICAMBIO



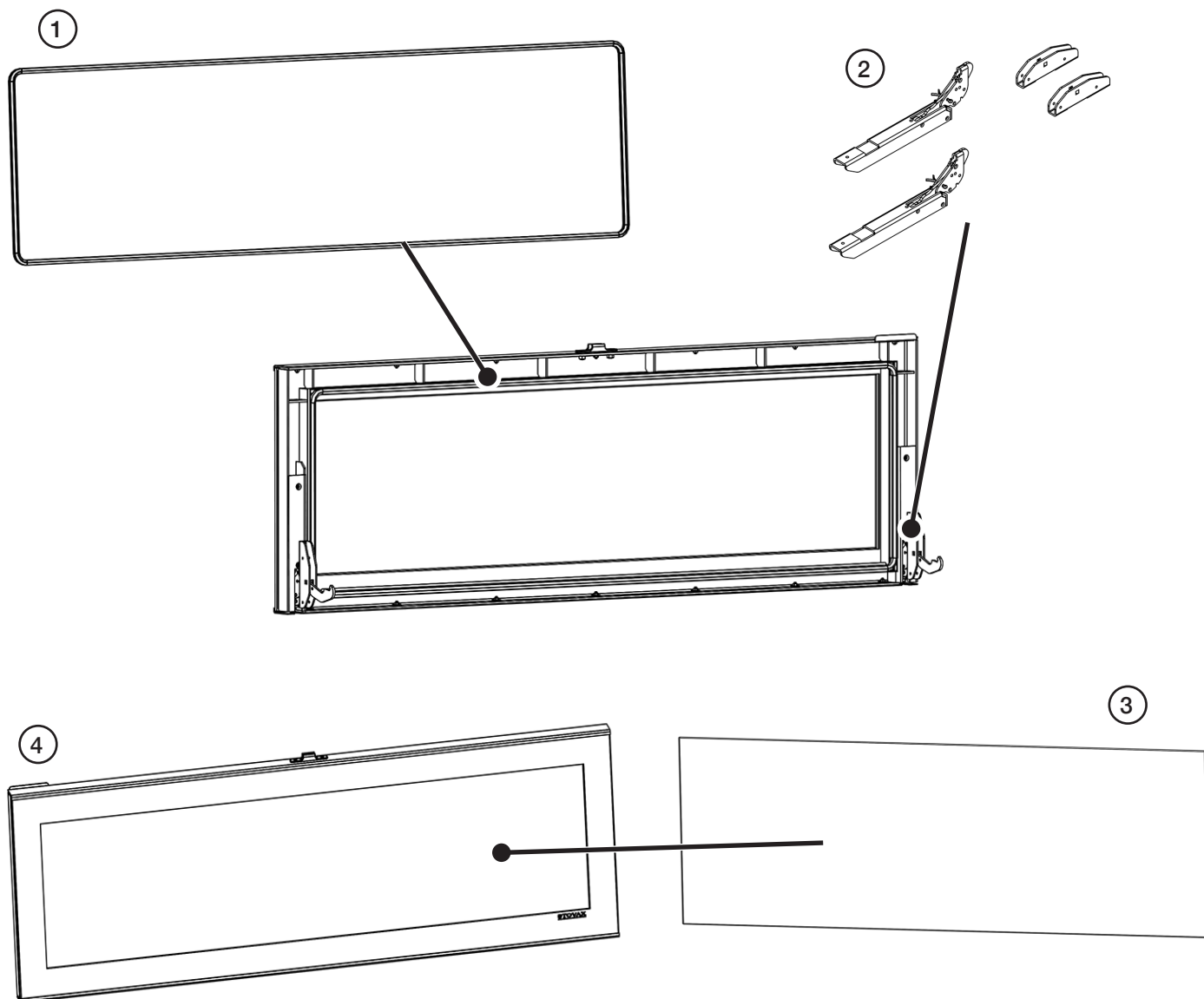
REF.	GB DESCRIPTION	FR DESCRIPTION	IT DESCRIZIONE	CODE/ CODICE		
				STUDIO 1	STUDIO 2	STUDIO 3
1	Brick Assembly	Briques Réfractaires	Mattoncini Refrattari	RVS- MEC11411	RVS- MEC11379	RVS- MEC11573
2	Base Brick Protectors	Protecteurs de briques de base	Protezione per mattoni di base	MEC11328	MEC11329	MEC11330
3	Baffle Bricks	Briques Coupe-Feu Inférieures	Mattoncini Refrattari Del Pannello Inferiore	RVS- MEC12152	RVS- MEC12148	RVS- MEC12153
4	Baffle Brick Support	Support de deflecteur	Supporto del pannello anteriore	RVS-RA503511	RVS- RA503452	RVS- MEC10590
5	Log Bar	Garde-bûches	Ferma-ciocchi	RVS- ME601390	RVS- ME601353	RVS- ME601402
5a	Log Bar Support	Supports de la Barre du Garde-Bûches	Supporti della Barra Ferma-Ciocchi	RVS-MEC8500	RVS-MEC8500	RVS-MEC8500
6a	Handle - Studio 1&2	Poignée - Studio 1&2	Maniglia - Studio 1&2	RVS- ME600213	RVS- ME600213	—
6b	Handle - Studio 3	Poignée - Studio 3	Maniglia - Studio 3	—	—	RVS-MEC9161
7	Steel Brick Set	Briques métalliques	Mattoncini di metallici	RVS- MEC10588	RVS- MEC10589	RVS- MEC10590

SPARE PARTS/ LISTE DES PIÈCES SAV RECHANGE/ ELENCO DELLE PARTI DI RICAMBIO -STUDIO 1 & 2



REF.	GB DESCRIPTION	FR DESCRIPTION	IT DESCRIZIONE	CODE/ CODICE	
				STUDIO 1	STUDIO 2
1	Door Catch Assembly	Du Loquet De La Porte	Presa dello sportello	RVS- MEC10167	RVS- MEC10010
2	RopeSeal	Tresse d'étanchéité	Guarnizione	5700	5702
3	Door Glass	Joint de porte	Vetro dello sportello	CE7473	CE7477
4	Complete Door Assembly	Assemblage de porte	Gruppo sportello completo	RVS- MEC10150	RVS- MEC10103

SPARE PARTS/ LISTE DES PIÈCES SAV RECHANGE/ ELENCO DELLE PARTI DI RICAMBIO -STUDIO 3



REF.	GB DESCRIPTION	FR DESCRIPTION	IT DESCRIZIONE	CODE/ CODICE
1	RopeSeal	Tresse d'étanchéité	Guarnizione	5704
2	Hinge Assembly	Charnières de portes	Cerniere dello sportello	RVS- MEC9446
3	Door Glass	Joint de porte	Vetro dello sportello	CE7499
4	Complete Door Assembly	Assemblage de porte	Gruppo sportello completo	RVS- MEC8300

**SERVICE RECORDS/ FICHES DE MAINTENANCE/
REGISTRI DEGLI INTERVENTI DI ASSISTENZA**

SERVICE/ ENTRETIEN/ INTERVENTO DI ASSISTENZA

Date/Data:.....
 Next/ Prochain /Prossimo:.....
 Signed:.....
 Dealer's Stamp/ Distributeur /Rivenditor
 (HETAS Registration Number)

SERVICE/ ENTRETIEN/ INTERVENTO DI ASSISTENZA

Date/Data:.....
 Next/ Prochain /Prossimo:.....
 Signed:.....
 Dealer's Stamp/ Distributeur /Rivenditor
 (HETAS Registration Number)

SERVICE/ ENTRETIEN/ INTERVENTO DI ASSISTENZA

Date/Data:.....
 Next/ Prochain /Prossimo:.....
 Signed:.....
 Dealer's Stamp/ Distributeur /Rivenditor
 (HETAS Registration Number)

SERVICE/ ENTRETIEN/ INTERVENTO DI ASSISTENZA

Date/Data:.....
 Next/ Prochain /Prossimo:.....
 Signed:.....
 Dealer's Stamp/ Distributeur /Rivenditor
 (HETAS Registration Number)

SERVICE/ ENTRETIEN/ INTERVENTO DI ASSISTENZA

Date/Data:.....
 Next/ Prochain /Prossimo:.....
 Signed:.....
 Dealer's Stamp/ Distributeur /Rivenditor
 (HETAS Registration Number)

SERVICE/ ENTRETIEN/ INTERVENTO DI ASSISTENZA

Date/Data:.....
 Next/ Prochain /Prossimo:.....
 Signed:.....
 Dealer's Stamp/ Distributeur /Rivenditor
 (HETAS Registration Number)

SERVICE/ ENTRETIEN/ INTERVENTO DI ASSISTENZA

Date/Data:.....
 Next/ Prochain /Prossimo:.....
 Signed:.....
 Dealer's Stamp/ Distributeur /Rivenditor
 (HETAS Registration Number)

SERVICE/ ENTRETIEN/ INTERVENTO DI ASSISTENZA

Date/Data:.....
 Next/ Prochain /Prossimo:.....
 Signed:.....
 Dealer's Stamp/ Distributeur /Rivenditor
 (HETAS Registration Number)

SERVICE/ ENTRETIEN/ INTERVENTO DI ASSISTENZA

Date/Data:.....
 Next/ Prochain /Prossimo:.....
 Signed:.....
 Dealer's Stamp/ Distributeur /Rivenditor
 (HETAS Registration Number)

SERVICE/ ENTRETIEN/ INTERVENTO DI ASSISTENZA

Date/Data:.....
 Next/ Prochain /Prossimo:.....
 Signed:.....
 Dealer's Stamp/ Distributeur /Rivenditor
 (HETAS Registration Number)

FOR ENQUIRIES IN THE U.K (EXCLUDING NI):

Stovax Limited, Spitfire Avenue, Skypark, Clyst Honiton, Exeter, Devon, England EX5 2FR

Tel: (01392) 474011 E-mail: info@stovax.com

FOR ENQUIRIES IN EUROPE (INCLUDING NI):

Stovax Heating Group (NI) Ltd (Comp reg NI675194), 40 Linenhall Street, Belfast, BT2 8BA

DX 400 NR Belfast Tel: +44 (0)1392 261990 E-mail: northernireland@stovax.com

E & O E

